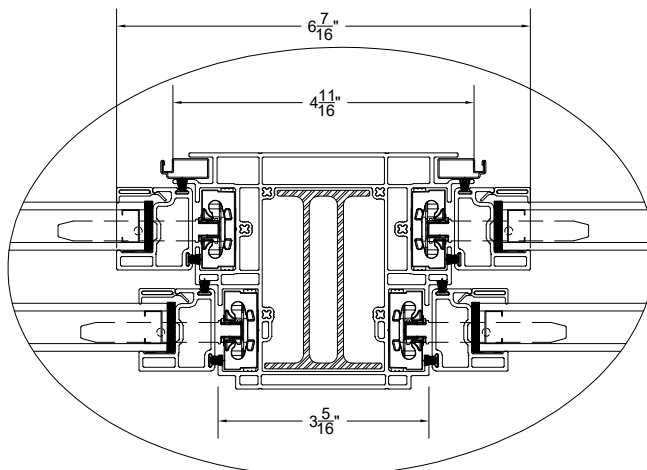
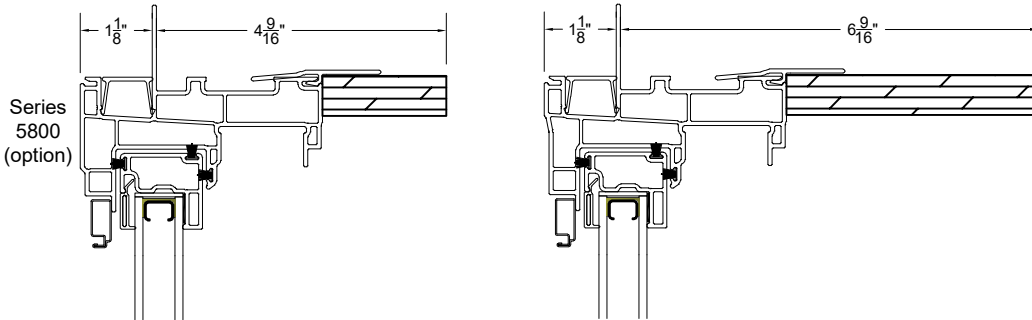


## 58-5900 Double Hung Window

Wood Extension jamb: 4-9/16

6-9/16



Series 58-5900 Vertical Intermediate Jamb Detail

