



4700 Series

Heavy Duty Sliding Patio Door
with Knockdown Frame

Installation Guide

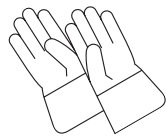
Project Requirements:

- Failure to follow these instructions may void product warranty.
- Read guide before starting installation. Read all warnings and cautions during installation.
- Due to ongoing product changes, updated test results and/or new industry best practices, this installation procedure may change over time. Visit the manufacturer's website for current installation instructions.
- Instructions are for typical wood frame wall construction.
- Check with your local building code official to identify and confirm compliance with local building code requirements.
- Depending on options purchased, this patio door was manufactured for installation into either a new or existing patio door opening.
- Wall and sill must be structurally sound and weather-resistant barrier must be adequate.
- Door must be installed to be plumb, level and square.
- Door should be approximately 1/2" less in both width and height than the opening.
- Contact local authorities or waste management companies for proper recycling and/or disposal of removed window or patio door.
- Visit the manufacturer's website for removal instructions, additional installation information and/or guides.

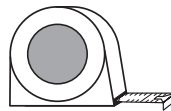
Tools & materials required:



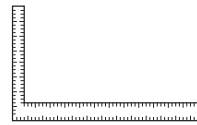
Safety glasses



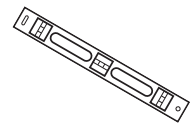
Work gloves



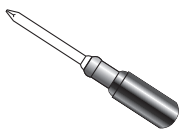
Tape measure



Framer's square



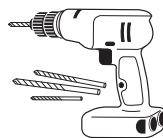
6' level



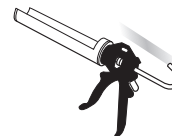
Phillips Head Screwdriver



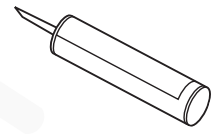
Low expanding foam



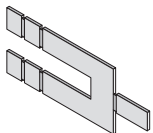
Power driver



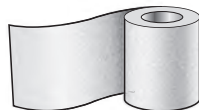
Caulk gun



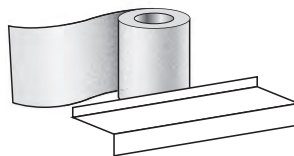
Interior and exterior window/door grade sealant



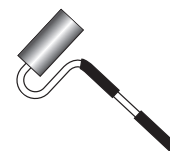
Shims



Self-adhesive flexible flashing (Minimum 6" wide depending upon installation)



Sill Flashing Tape or Vinyl sill pan



J-roller

Warnings \ Notices \ Cautions:

⚠ WARNING

Use caution when working at elevated heights and around unit openings. Follow manufacturers' instructions for ladders and/or scaffolding. Failure to do so may result in injury or death.

Follow manufacturers' instructions for hand or power tools. Always wear safety glasses. Failure to do so may result in injury and/or product damage. Windows and doors can be heavy. Use safe lifting techniques and a reasonable number of people to move and install window and door products to avoid injury or product damage.

Support door in opening while shimming. Failure to do so may result in injury and/or product/property damage.

Before, during, and after installation, place all tools as well as any casing or door parts on a drop cloth or in a location that will not pose a hazard to installers, customers, or property.

All laws and building codes require safety glass in Patio doors. Reducing the likelihood of injury if broken. Information on safety glass.

Contains small parts. If swallowed could pose a choking hazard to young children. Remove and dispose of any loose or easily removed parts.

CAUTION

The use of movable insulating materials such as door coverings, shutters, and other shading devices may damage glass and/or vinyl. Follow instructions of foam, sealant and flashing manufacturer regarding material application and compatibility with this product.

Do not overdrive screws or nails. Product damage may result.

Do not cover weep holes. Property damage may result.

When insulating between unit frame and rough opening or between units when joining, **DO NOT** overpack batt insulation or overfill with foam. Bowed jambs will result affecting product performance and/or proper operation of unit.

Do not apply any type of film to glass.

Thermal stress conditions resulting in glass damage could occur. Do not drill into or through the sill of the door or product and/or property damage may occur.

Weep holes must face the exterior and must be located at the bottom of the door or product and/or property damage may occur.

Remove or cut ventilation holes in plastic shipping wrap if door is not installed immediately or product damage may occur.

Use masonry screw when fastening directly

into masonry or through a buck into masonry.

NOTICE

Do not store doors flat or in the sun or product damage may occur. Important safety information. Leave this information for the building occupant.

Buildings constructed prior to 1978 may contain lead paint which could be disturbed during replacement. For more information on proper management of lead paint, visit www.epa.gov/lead

Carefully remove fasteners that attach wood to door. Fastener holes are used for installation. Failure to do so could result in product damage.

Fasteners:

WARNING

Metal fasteners and components may corrode when exposed to preservative-treated and/or fire-retardant treated lumber. Use approved fasteners and components to fasten unit. Failure to do so may cause a failure resulting in injury, property or product damage.

Building Code Approved Fastener Chart

Application	Anchor Type	Anchor Size	Minimum Embedment	Minimum Clearance to Masonry Edge	Minimum Clearance to Adjacent Anchor
1X Buck or Masonry Frame	ITW	1/4"	1-1/4"	2-1/2"	3"
1X Buck or Masonry Frame	ELCO	1/4"	1-1/4"	1"	4"
2X Buck	Wood Screw	#8	1-1/4"	NA	NA

This fastener schedule is provided as an example of fastening requirements. Requirements may vary by product, building type, application and region. Contact your local building code official for requirements in your area.

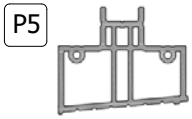
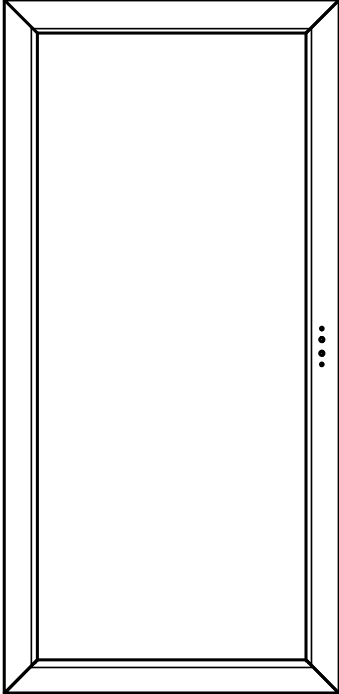
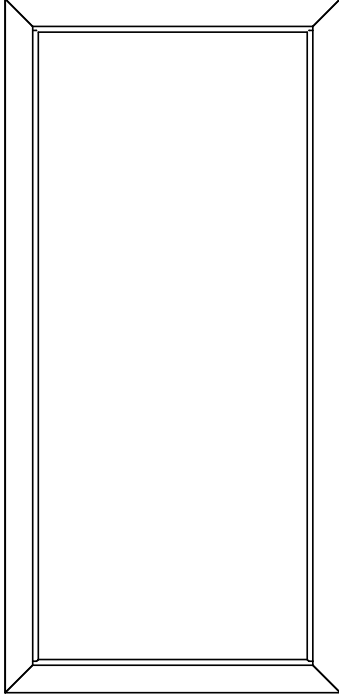
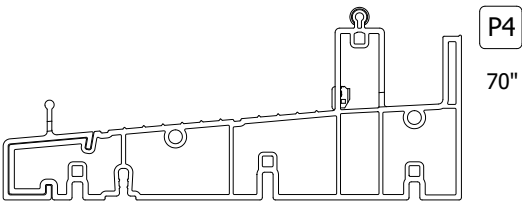
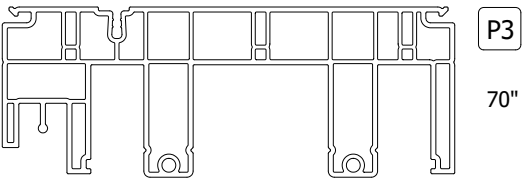
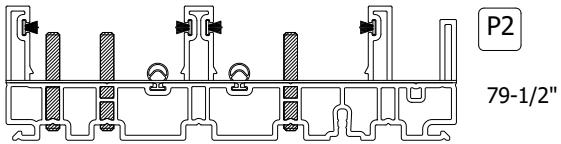
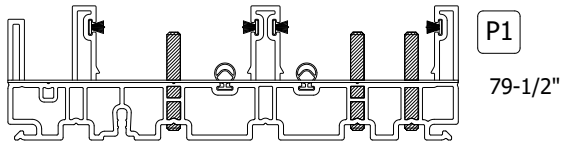
Finishing, Cleaning and Maintenance Instructions:

CAUTION

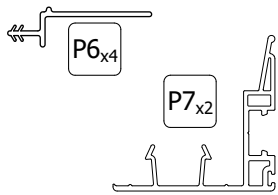
Do not stain or paint weatherstrip, vinyl, glass or hardware. Product damage may occur. Acid solutions used for cleaning masonry or concrete will damage glass, fasteners, hardware, vinyl and metal flashing. Protect unit and follow cleaning product instructions carefully. If acid contacts unit, wash all surfaces with water immediately. Abrasive cleaners will damage glass and vinyl surfaces.

- ▶ **Clean glass using liquid glass cleaner.**
- ▶ Clean exterior frame, sash/panels, and insect screens using mild detergent and water with a soft cloth or brush.
- ▶ For hard to clean areas use a nonabrasive cleaner, alcohol-and-water or ammonia-and-water.
- ▶ Do not apply any type of film to insulating glass. Thermal stress and glass damage can result. Shading devices (insulated coverings, shutters, etc.) may also cause thermal stress damage.
- ▶ For continued weather resistance of sealant joints, follow the sealant manufacturer's recommendations for periodic maintenance.

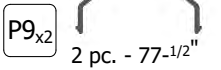
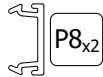
Full Parts List



2 pcs. - 79-3/8"
2 pcs. - 69-7/8"



2 pcs. - 75-13/16"



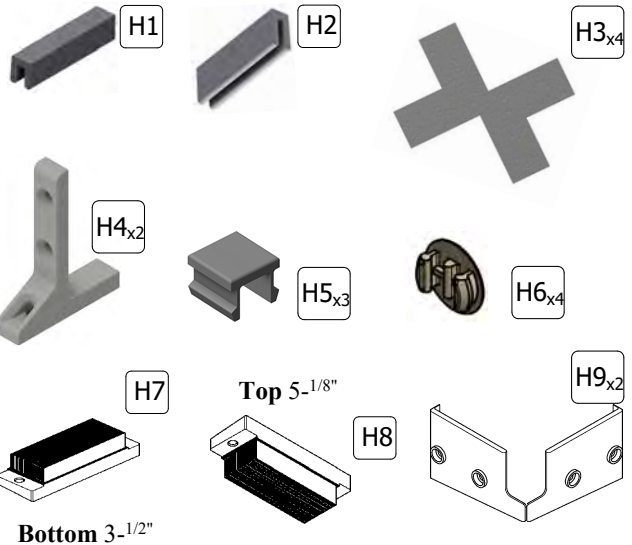
2 pc. - 77-1/2"

2 pcs. - 75-13/16"

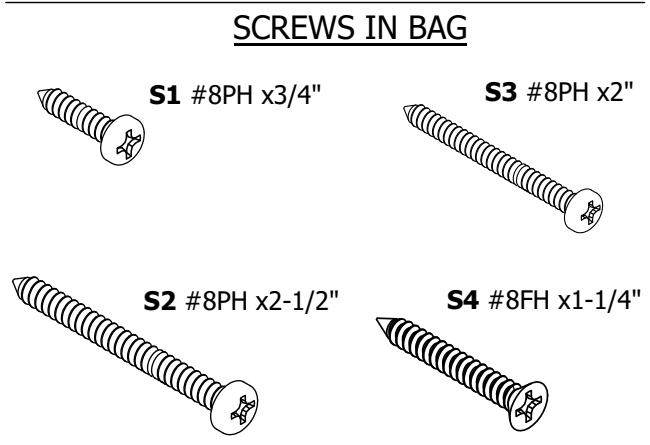
HANDLE PARTS IN BAG



MISC PARTS IN BAG

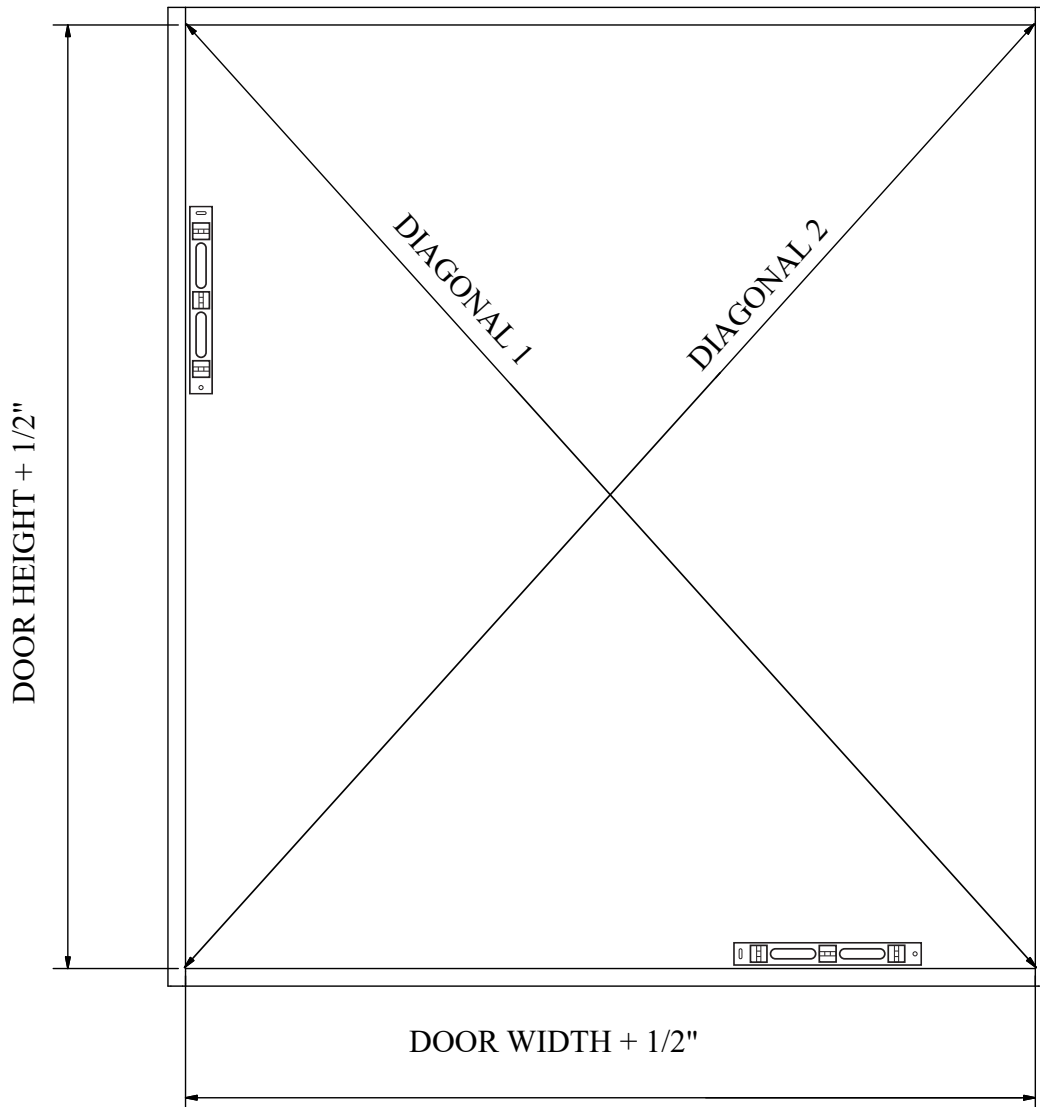


SCREWS IN BAG



IF MISSING ANY OF THE ABOVE PART PROCEED TO END OF BOOKLET FOR CONTACT INFORMATION

Opening Check



Check the opening for Level, Plumb and Squareness.

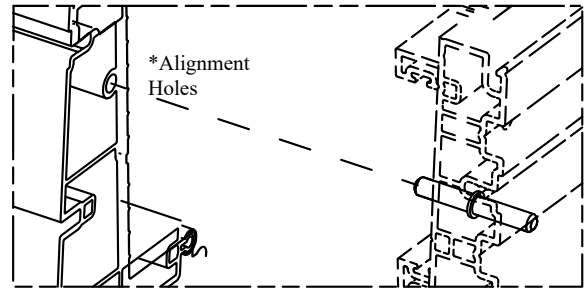
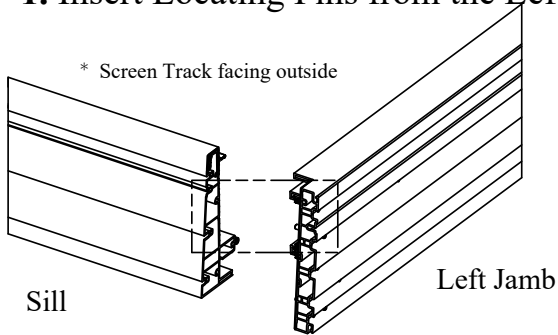
The HEIGHT of the opening should be 1/2" larger than the HEIGHT of the product.

The WIDTH of the opening should be 1/2" larger than the WIDTH of the product.

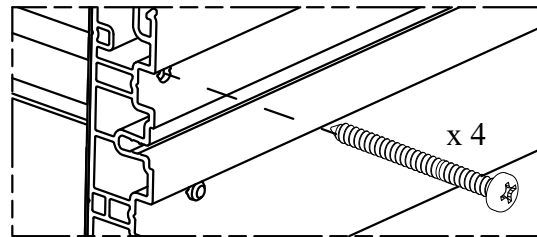
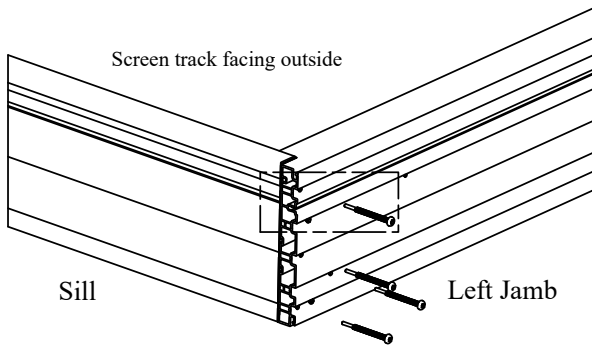
The measurement of the diagonals should be within 1/8" with each other.

Frame Assembly - Bottom Corner

1. Insert Locating Pins from the Left Jamb (P1) into the alignment holes in the Sill (P4).

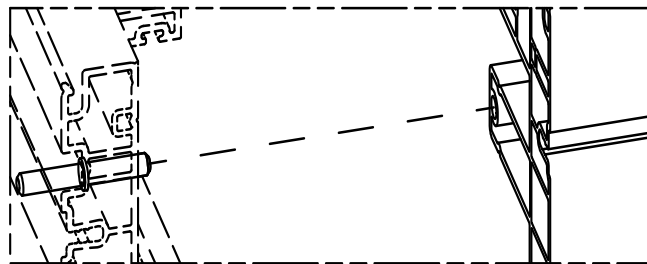
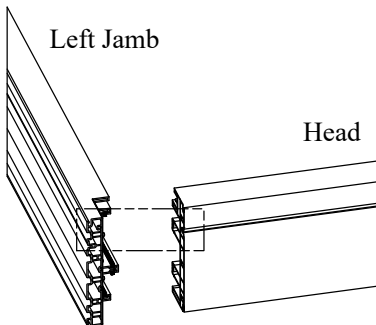


2. Drive FOUR Assembly Screws (S2) into the assembly holes on the left Jamb (P1). Make sure the gasket is well compressed. **DO NOT OVERTIGHTEN**

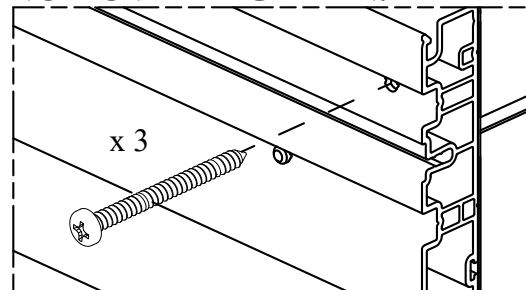
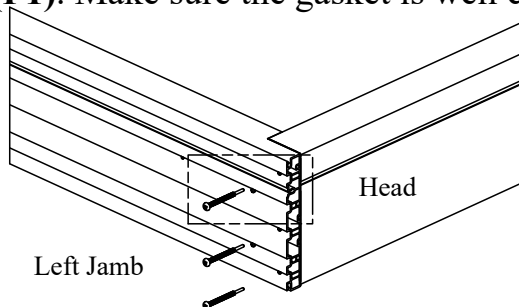


Frame Assembly - Top Corner

3. Insert Locating Pins from the Left Jamb (P1) into the alignment holes in the Head (P3).



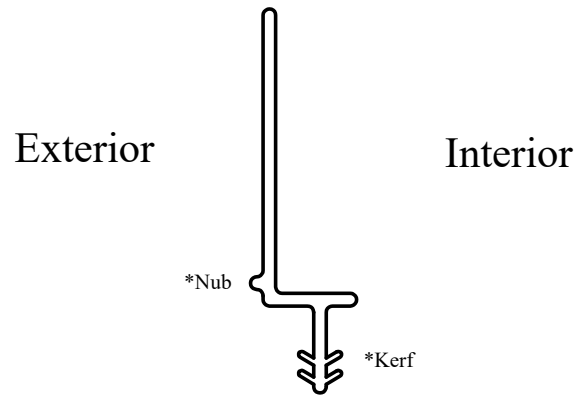
4. Drive THREE Assembly Screws (S2) into the assembly holes on the Left Jamb (P1). Make sure the gasket is well compressed. **DO NOT OVERTIGHTEN.**



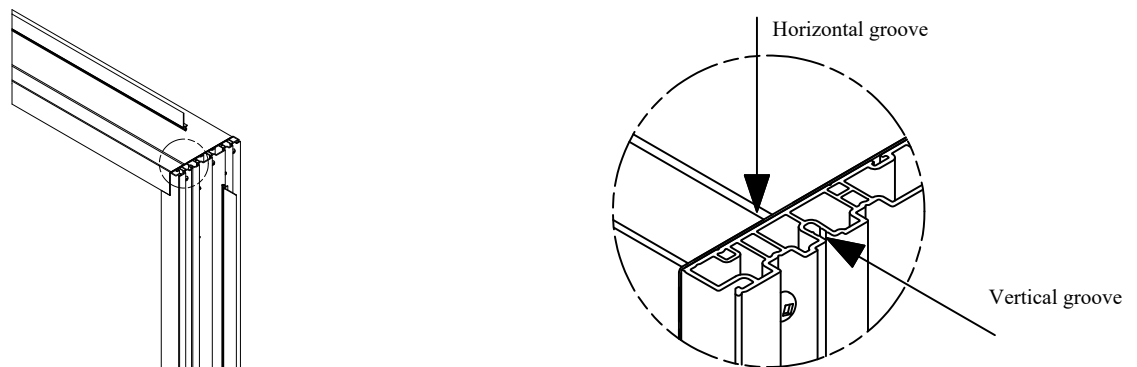
5. Repeat above steps for Right Jamb (P2). Make sure the gasket is well compressed. **DO NOT OVERTIGHTEN.**

Installation Flange

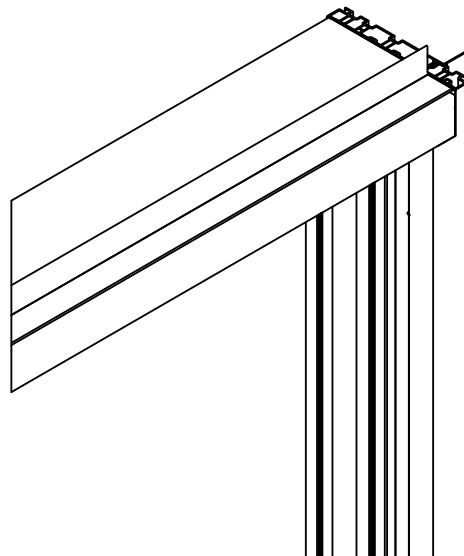
1. Position the Installation Flange (**P6**) with the nub on the long leg facing the exterior.



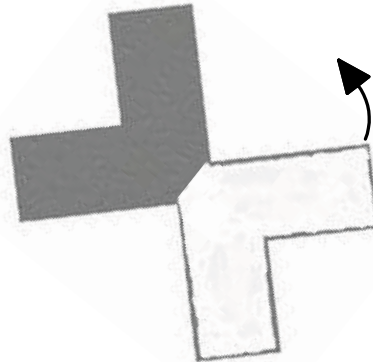
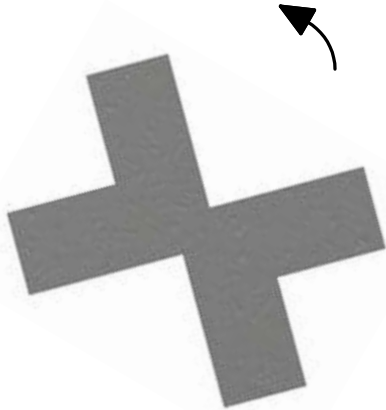
2. Line up the Kerf on the (P6) to the groove on the respective profile. The longest pieces correspond the Jambs, while the shorter ones will be applied to the Head (P3) and Sill (P4).



3. Apply pressure on the flat side of the Installation Flange (**P6**) until the part is flush to the profile.

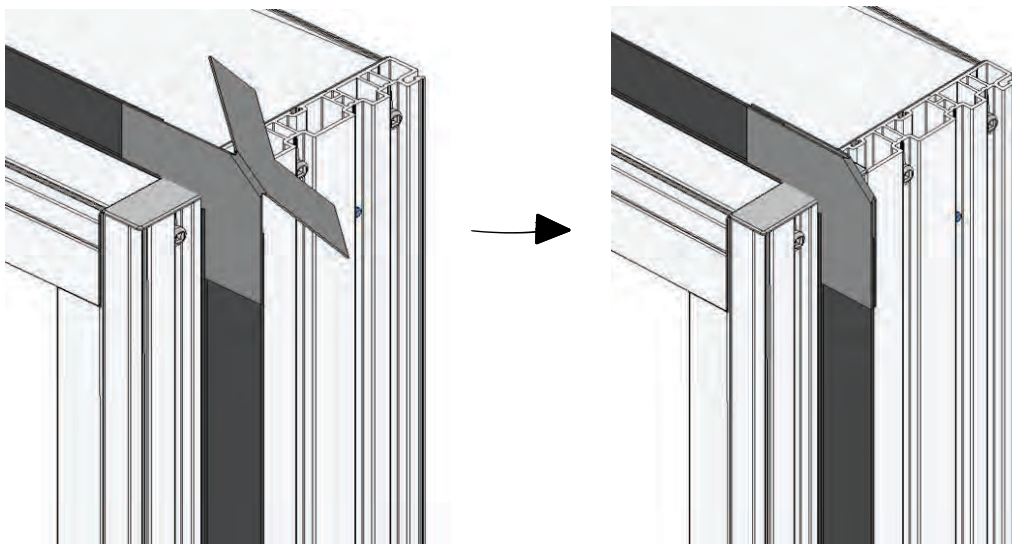


4. Fold over Installation Flange Gasket (**H3**) to allow bending of the flap.



5. Remove the backing from one section of gasket.

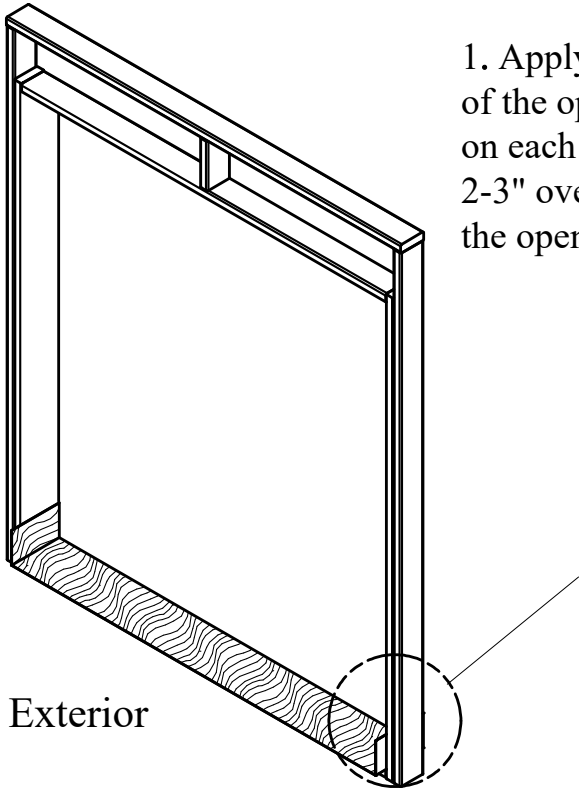
6. Apply pressure and apply to exterior surface of Installation Flange (**P6**) then FOLD remaining gasket over & apply pressure to complete connection between both Horizontal and Vertical Flange.



Exterior

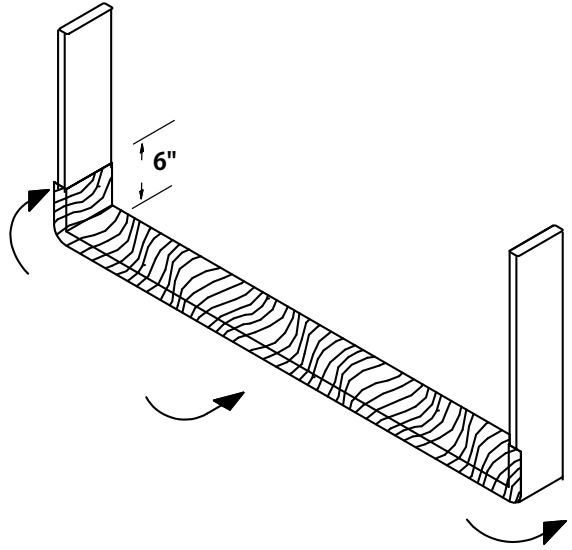
7. Repeat steps on all Corners

Sill Flashing



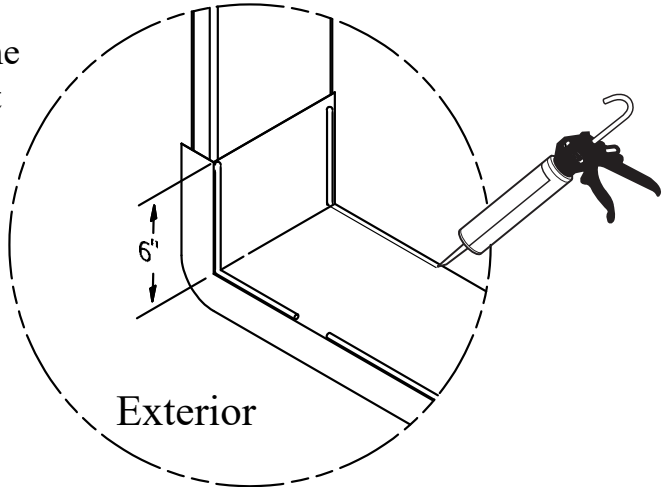
Exterior

1. Apply Flashing Tape on the base of the opening leaving a 6" tall flap on each side. Additionally, leave a 2-3" overhang from the frame of the opening

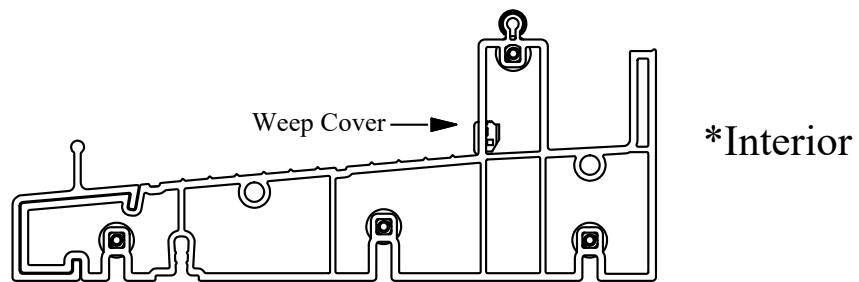
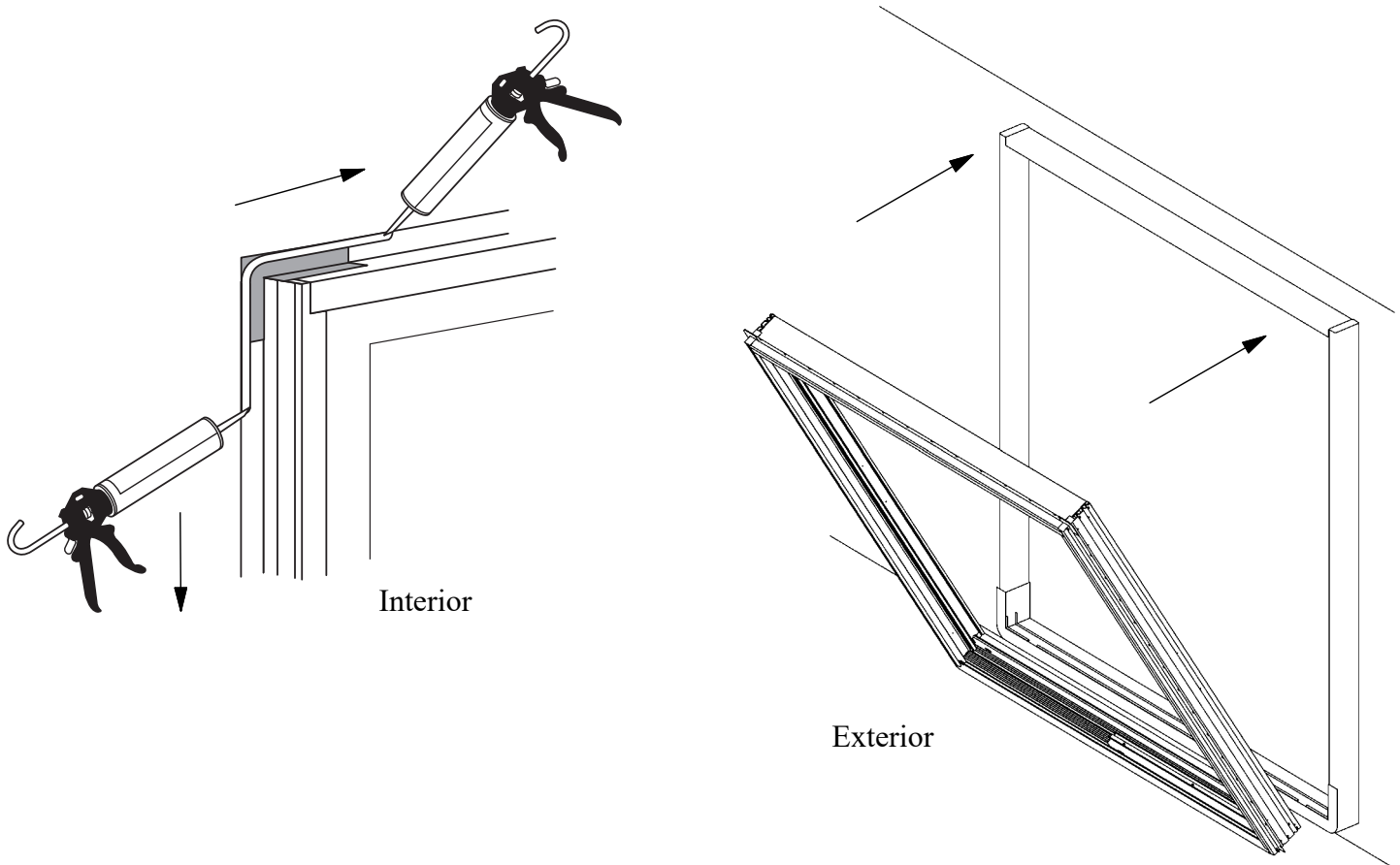


2. Fold overlaps on all edges to be flush to the external face of the **opening**. For better results, use J-Roller.

3. Apply two beads of silicone. The first shall be applied at the edge of the frame leaving a gap near the corner. The second bead is continuous and applied at innermost surface of the opening



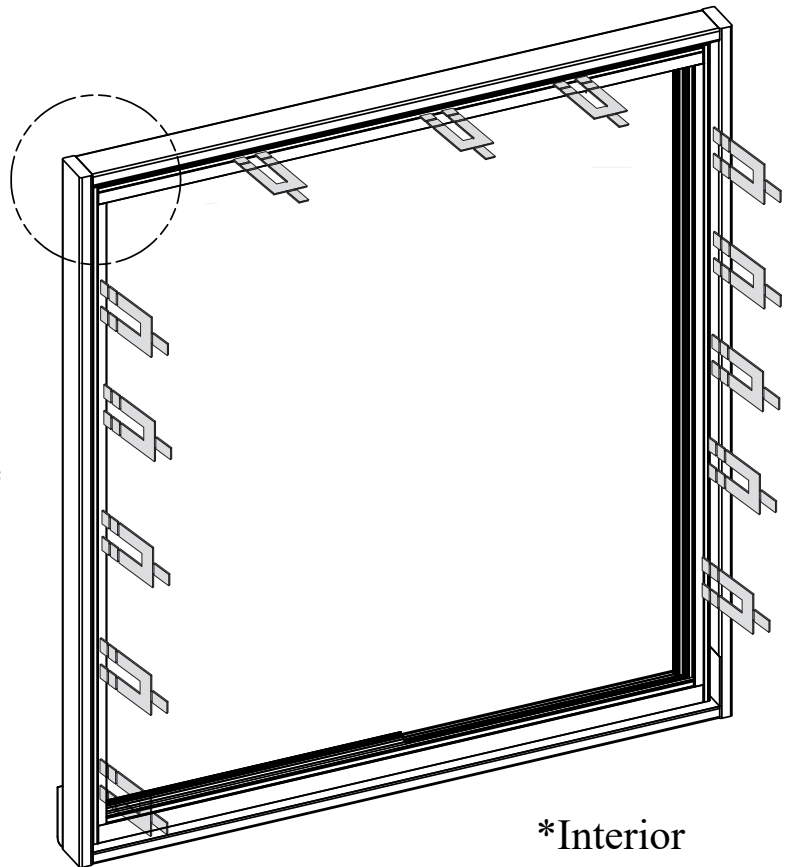
4. Apply silicone on the head & jambs of the Installation Flange (P6) to ensure complete sealant coverage. Pivot the door into the opening.



*SILL Exterior

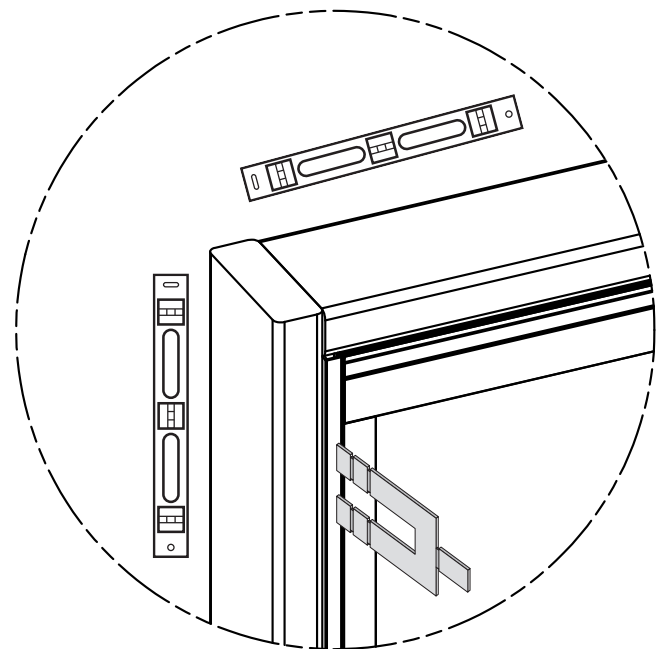
Shimming & Leveling

S1. Insert shims as necessary around the space between the door frame and the opening from the interior of the house.



S2. Level, plum, and square the door frame to the opening.

*Confirm that the jamb and head profiles are straight and no crown in sill.

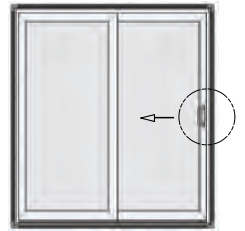


Frame Installation - Right Sliding

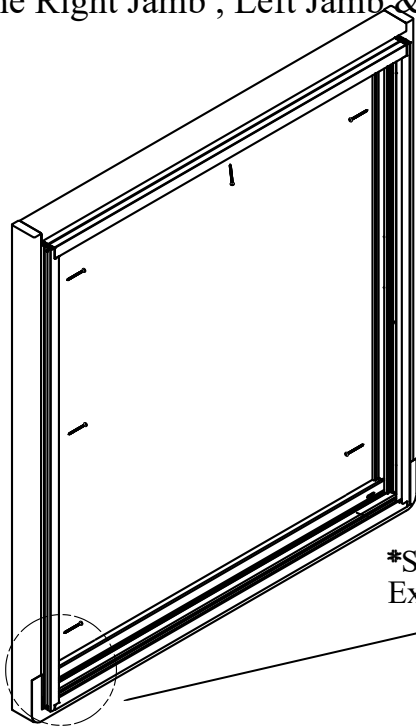
(for LEFT Sliding proceed to page 26)

1. Drive SIX Installation Screws (S3) into the pre-punched pilot holes on the Right Jamb , Left Jamb & HEAD.

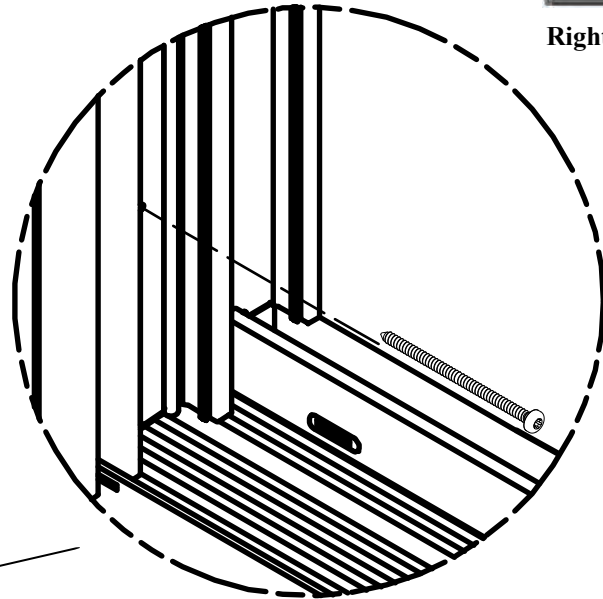
Exterior View



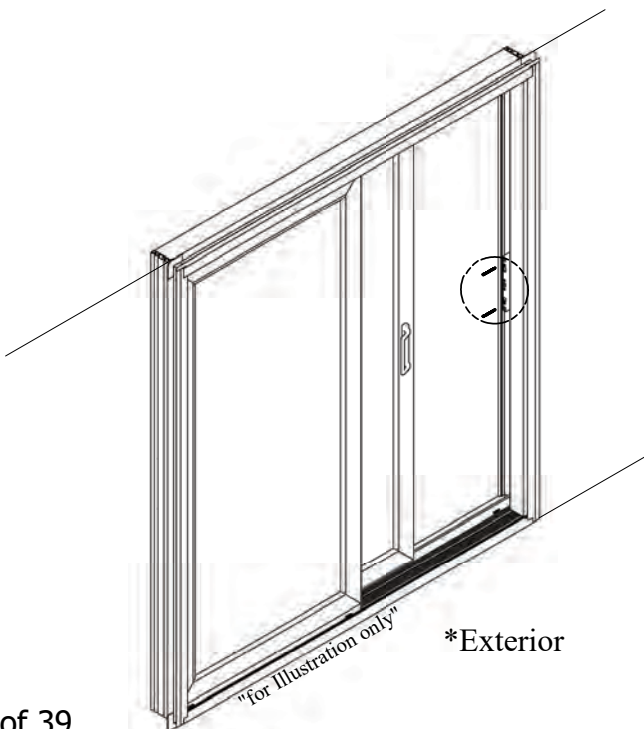
Right Sliding Door



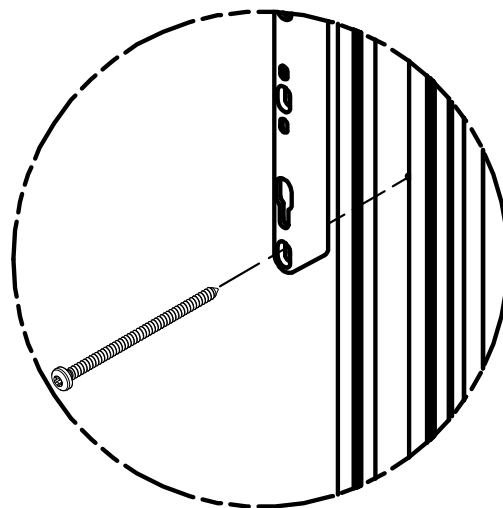
*Sill
Exterior



1b. Locate the Keeper on the two center holes on the Right Jamb. Drive TWO Installation Screws (S2) into the Keeper. **DO NOT OVERTIGHTEN**, will need to adjust later with handle installation

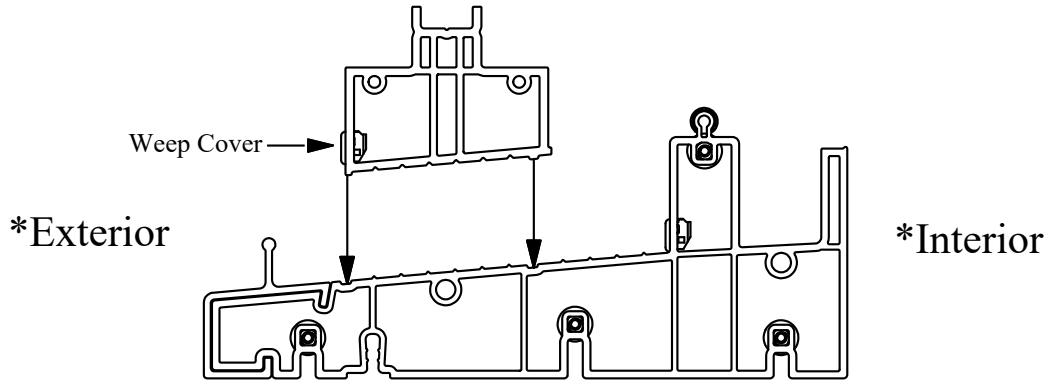


*Exterior



Frame Assembly - Panel Riser-Right Sliding

1R. Use locating nubs on Fixed Panel Riser (**P5**) to place it on the surface of the Sill (**P4**). Make sure Weep Cover is facing to exterior.



2R. Push the Fixed Panel Riser to the Left Jamb until it makes contact

***Note:** *Right Sliding Door* is such that when viewing it from the **outside**, your **handle** will be located on the **right**. See Figure 1

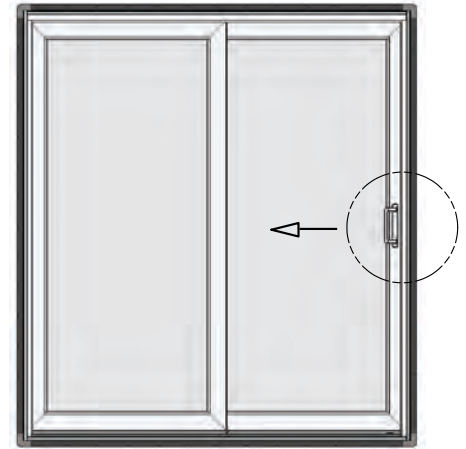
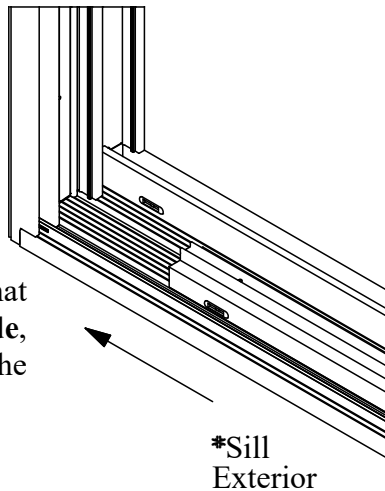
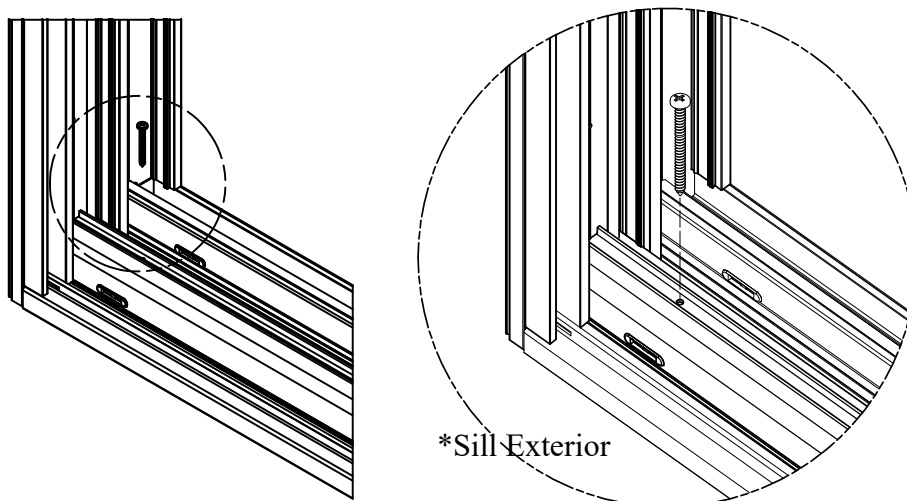
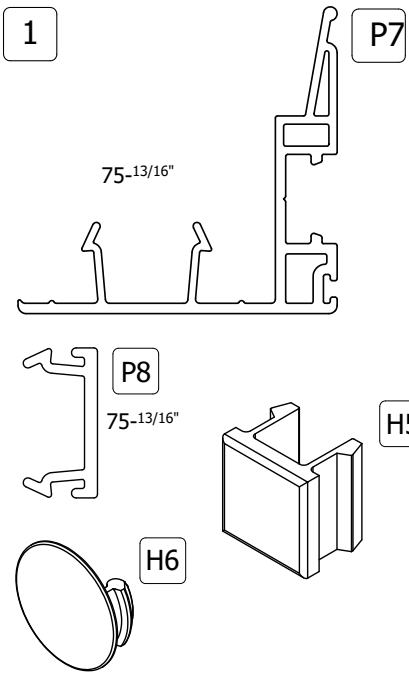
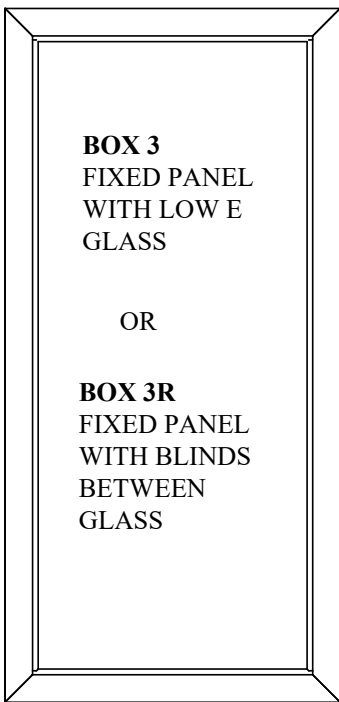


Figure 1: Right Sliding Door Exterior View

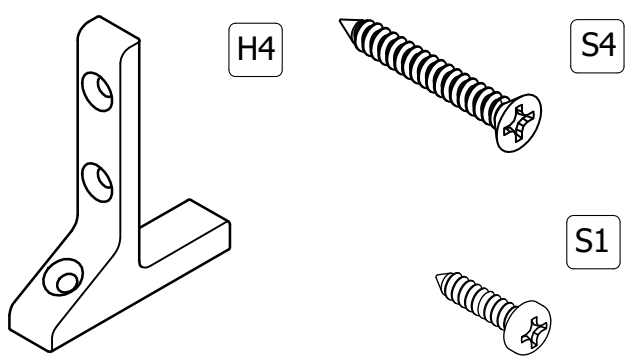
3R. Drive **THREE** Fixed Panel Riser Screws (**S3**) into the pre-punched holes on the Riser **AND** into the Sill.



Fixed Panel Parts

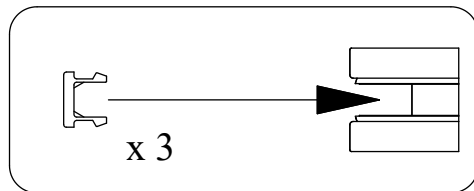


Part Number	Part Name	Quantity
1	Panel	1
P7	Snap Interlock	1
P8	Interlock Cover	1
H5	Panel Spacer	3
H6	Plug	2
H4	Riser Clip	2
S1	Interlock Screw	4
S4	Riser Clip Screw	6

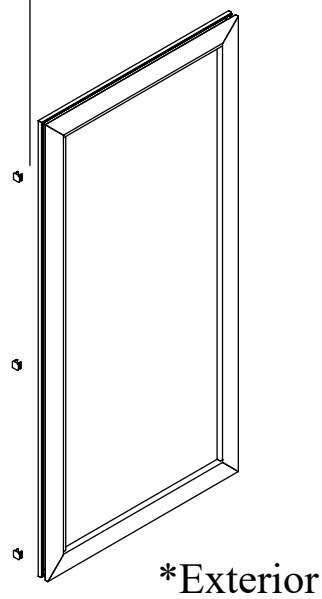


Fixed Panel Installation

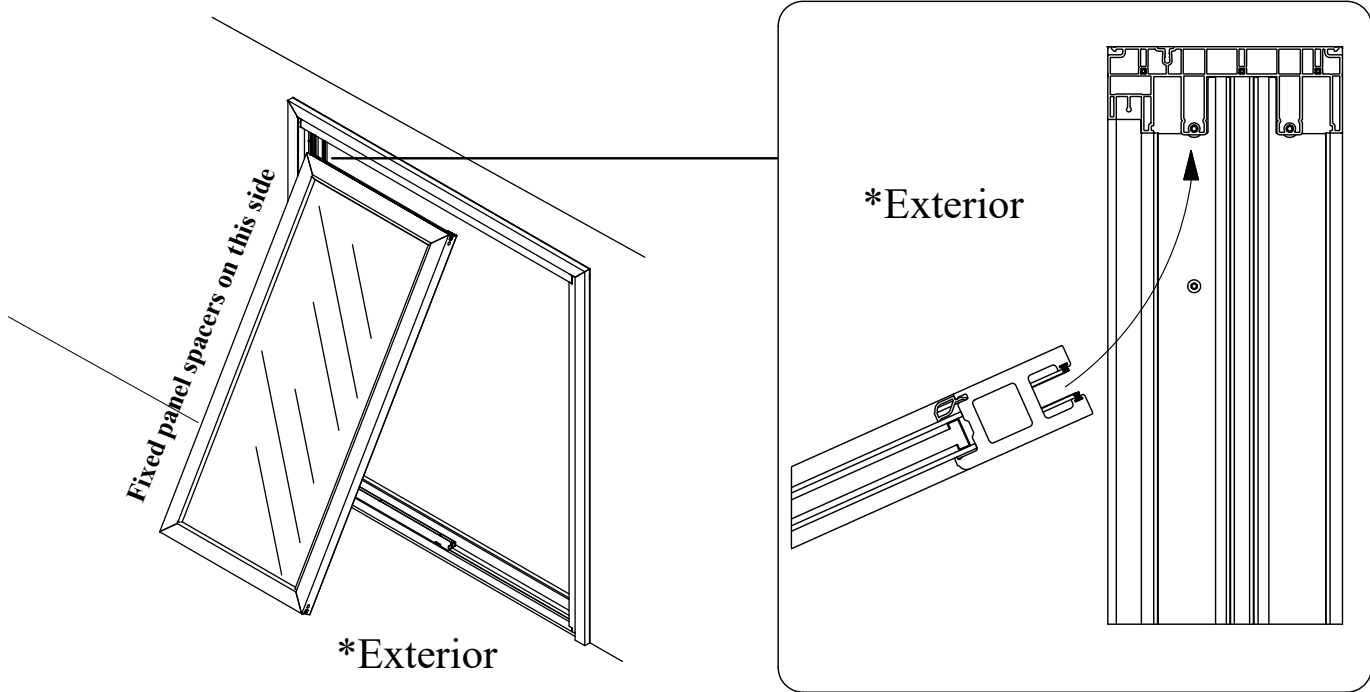
1R. Attach three Fixed Panel Spacer (**H5**) from hardware bag, locate two of these 8 inches from the edge of panel and one in the center.



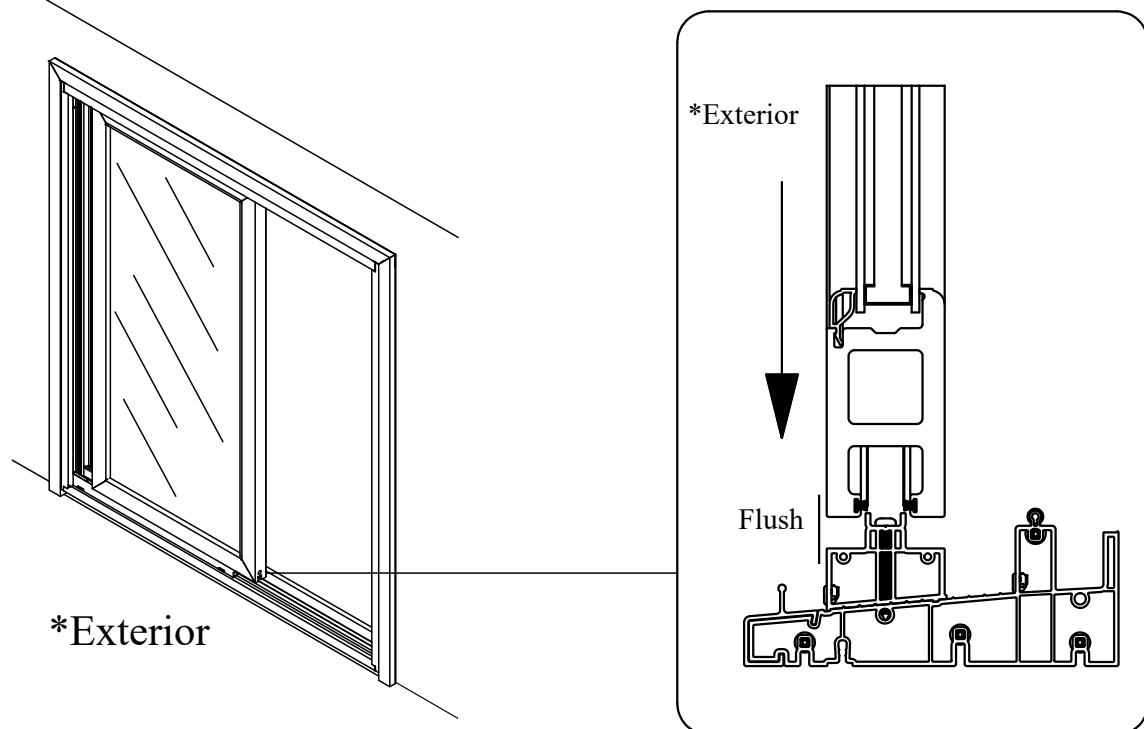
***Right Sliding Fixed Panel View.**
Glazing Bead on Exterior. "No rollers" or holes processed for handle



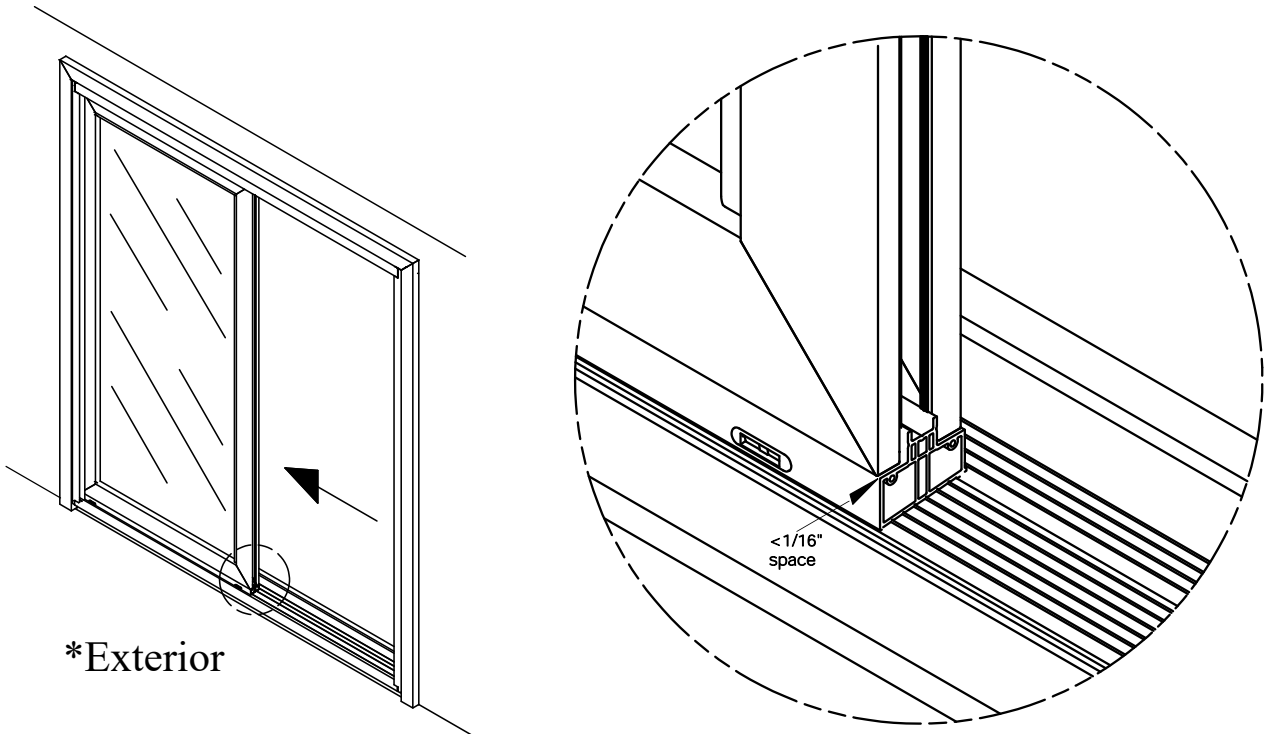
2R. Swing Fixed Panel (1) into the frame, aligning it to the exterior sash rail. **GLAZING BEAD ON THE EXTERIOR.**



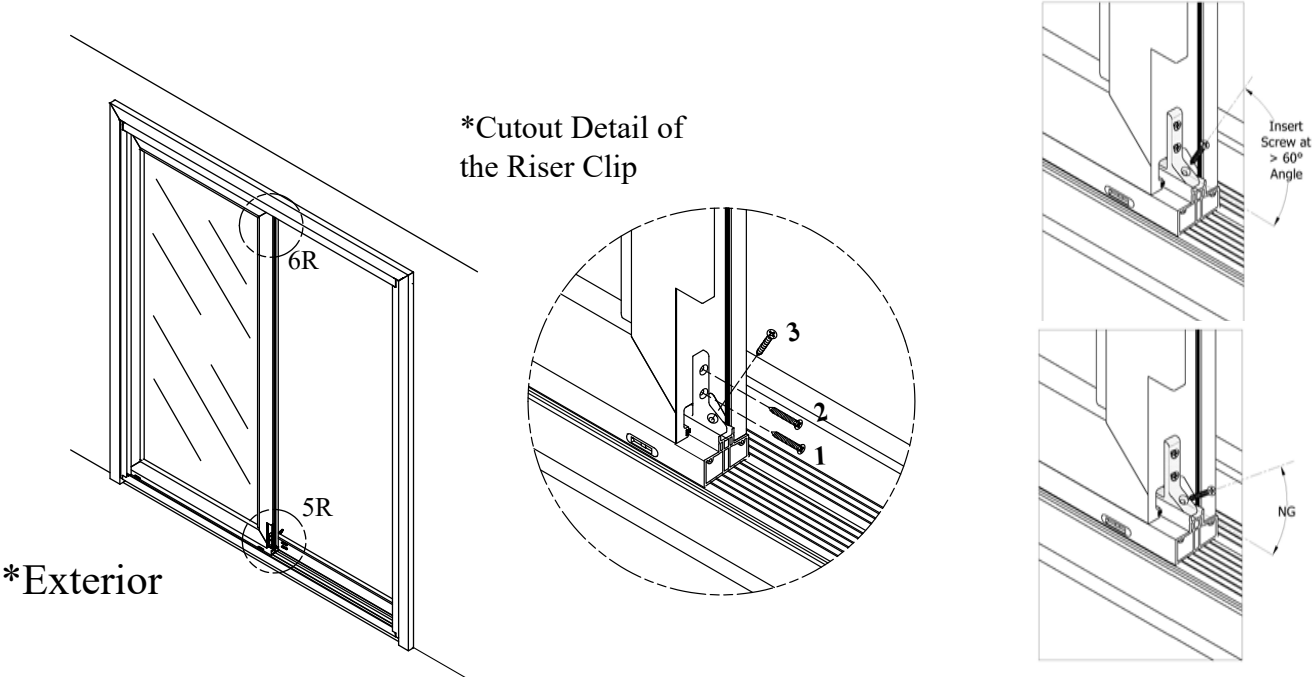
3R. Drop Fixed Panel on top of the Riser, making sure the exterior surface of the panel is flush to the Riser.



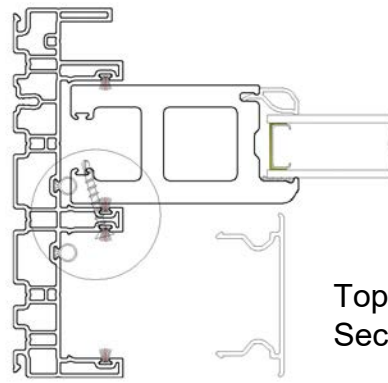
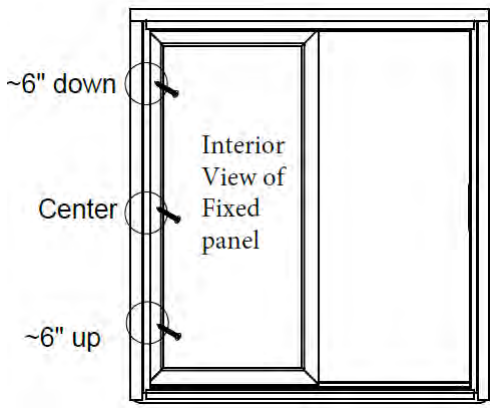
4R. Push Panel all the way into the frame leaving a small gap between the face of the Riser to the edge of the Panel.



5R. Place fixing clip (H4) against the channel of the Panel and the channel of the Riser. Drive THREE clip screws (S4) into the Riser and the Panel.(in numerical order as shown below) Insert last screw at >60 degree



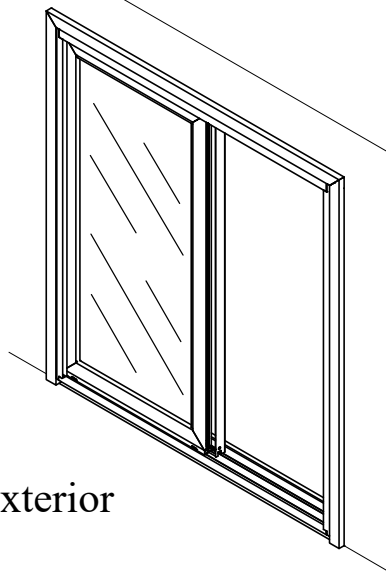
6R. Repeat process of placing fixing clip (H4) against the channel of the Panel and on the Head. Drive THREE clip screws (S4) into the Head and the Panel.



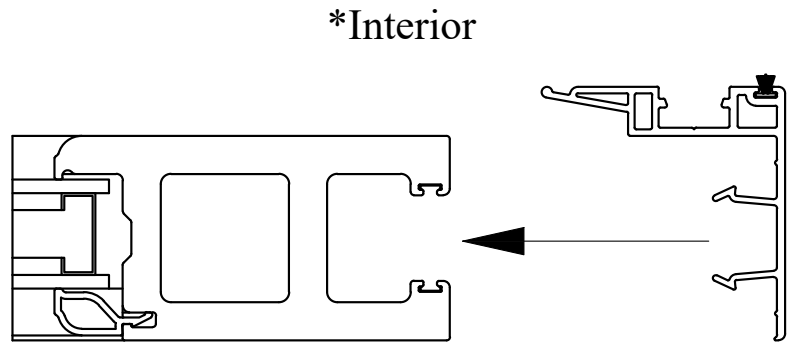
Use screws included in bag (H4) to secure panel to frame

Top Cross Section View

7R. Snap the Interlock (P7) into the Fixed Panel channel. Verify that the surface of the interlock is flush to the Riser. **INTERLOCK HOOK ON THE INTERIOR.** Use Caution when installing, part is non-removable



*Exterior

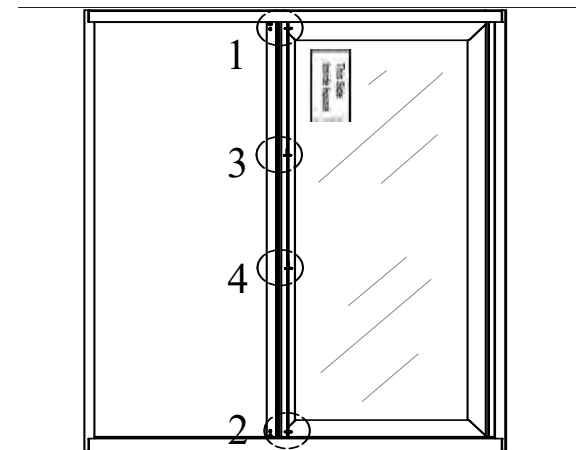


*Interior

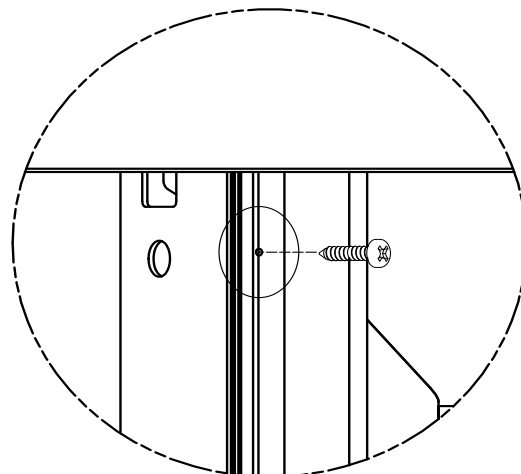
*Exterior

Right Sliding Fixed Panel

8R. From the interior of the home, drive one screw (S1) on the top and one on the bottom where the pre-punched holes are located on the interlock(P7). Additionally, two more screws (S1) near the center of the interlock (no pre-punch holes in middle).

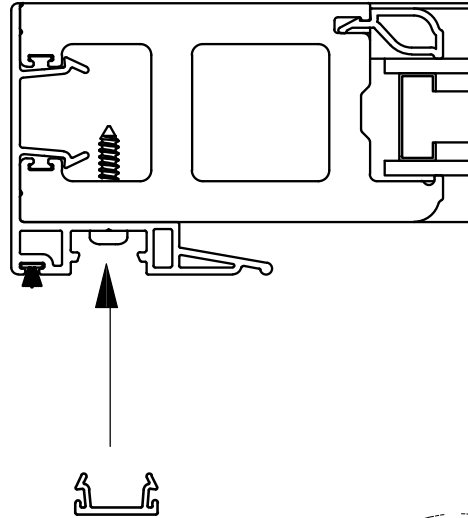
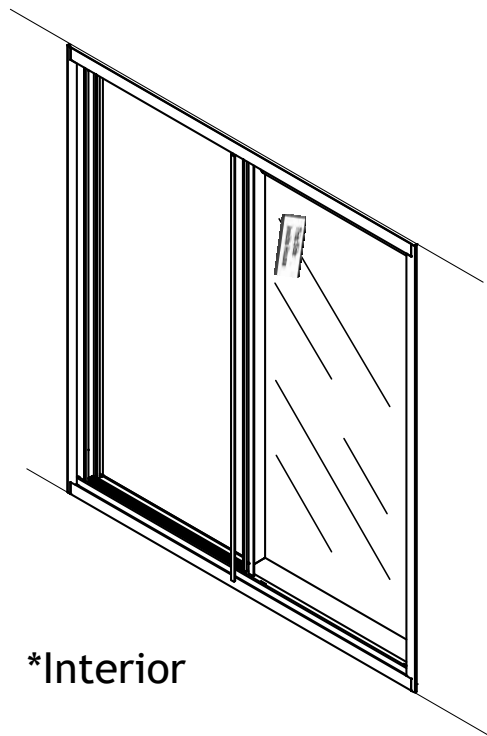


*Interior



Right Sliding Fixed Panel Looking from Interior

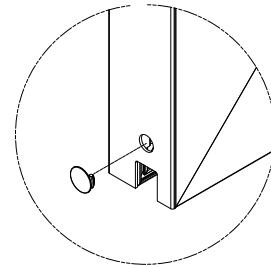
9R. Snap Interlock Cover (P8) into the groove of the Interlock.



Exterior View



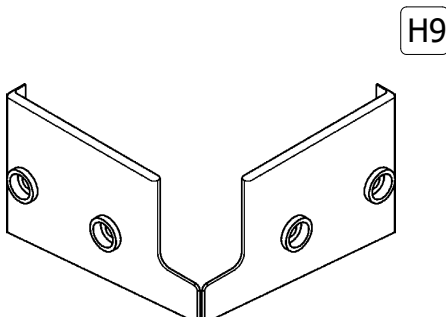
Right Sliding Door



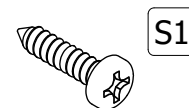
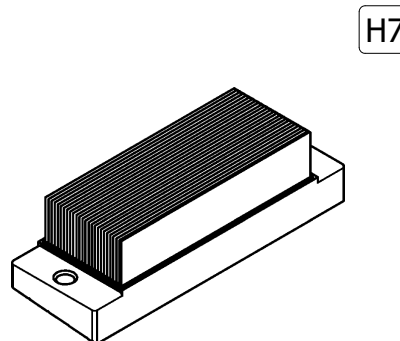
10R. Snap a plug (H6) into the pre-punch hole at the bottom of the Interlock. Repeat this process for the top hole.

Sill Pad Installation-Parts List

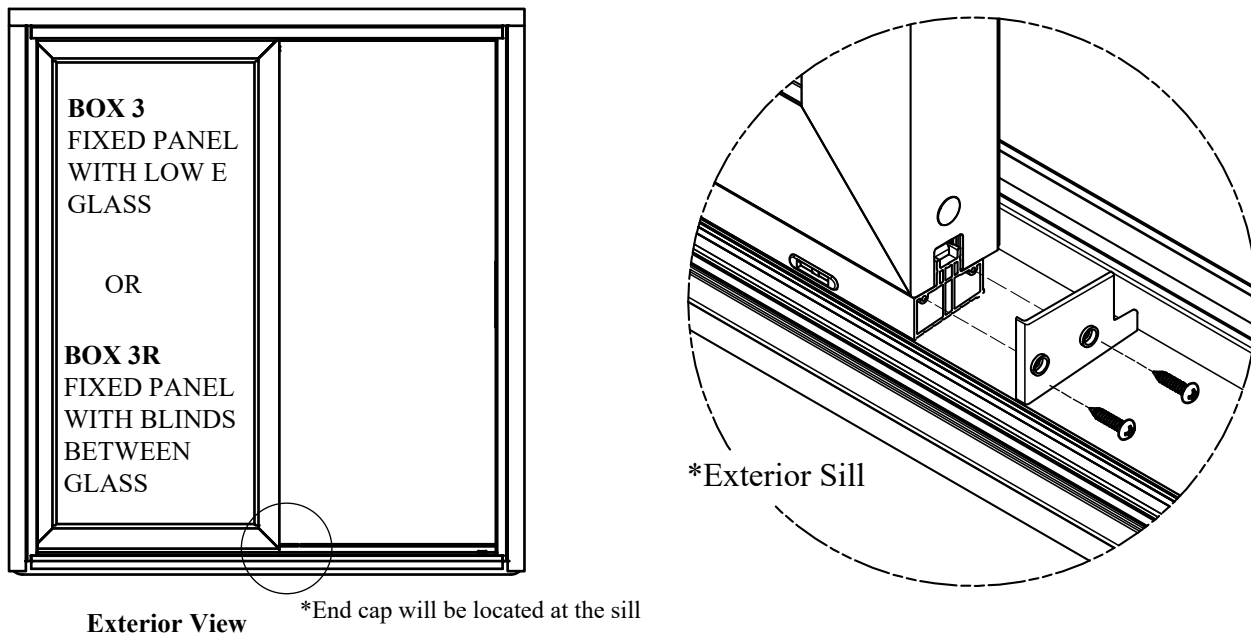
Part Number	Part Name	Quantity
H9	End Cap	1
H7	Sill Pad	1
S1	Screw	4



*End cap is breakaway "discard unused portion"

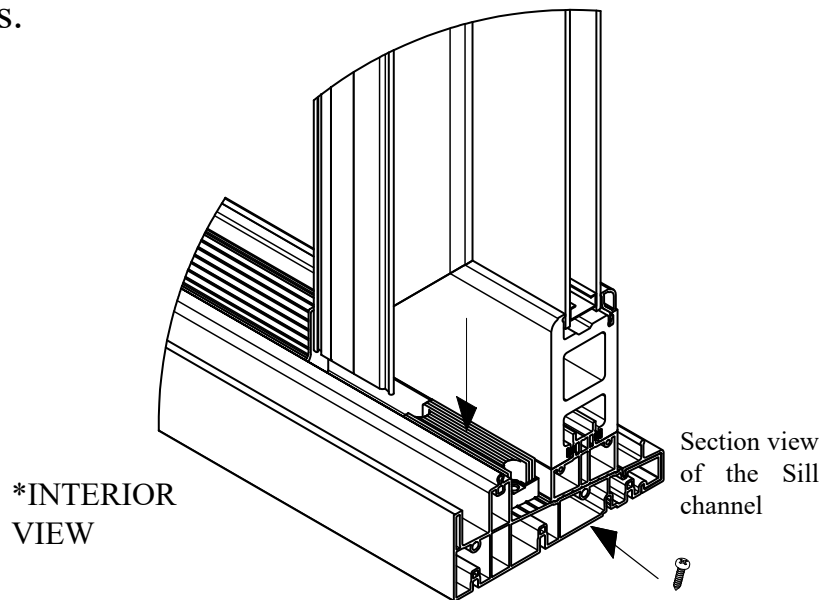


1R. Place the End Cap (**H9**) over the end of the riser(**P5**). Make sure the holes on the End cap align with those of the riser.



2R. Drive TWO screws (**S1**) through the cap to fix it to the riser.

3R. Insert Sill Pad (**H7**) from hardware bag into Sill channel making sure it rides over the grooves.



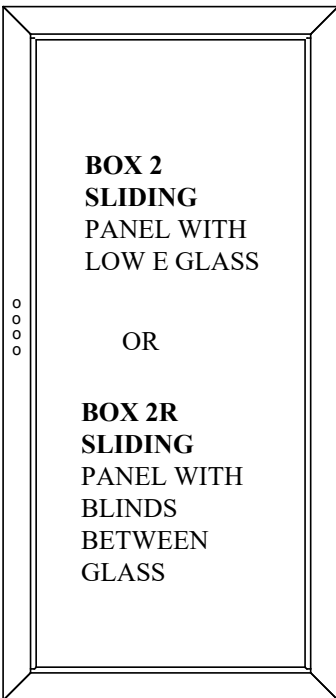
4R. Push the Sill Pad until it touches the tab on the End Cap (**H9**). Drive TWO screws (**S1**) into the visible holes on the Sill Pad (**H7**) into the Sill.

Operable Panel Parts

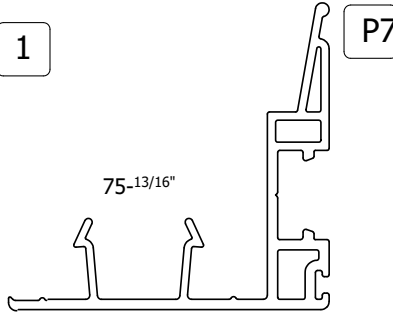
**BOX 2
SLIDING
PANEL WITH
LOW E GLASS**

OR

**BOX 2R
SLIDING
PANEL WITH
BLINDS
BETWEEN
GLASS**



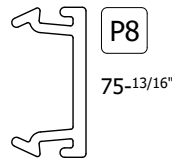
1



P7


75-13/16"

Part Number	Part Name	Quantity
1	Panel	1
P7	Snap Interlock	1
P8	Interlock Cover	1
H6	Plug	2
S1	Interlock Screw	4

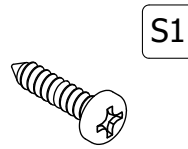


P8

75-13/16"



H6

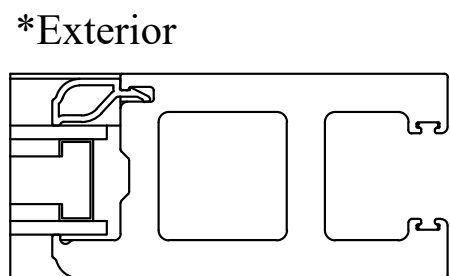


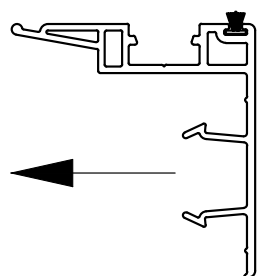
S1

1R. Snap the Interlock (**P7**) onto the operable panel opposite the handle mortise lock. Verify the length is equal to panel (or leave equal gap/overhang on each end).

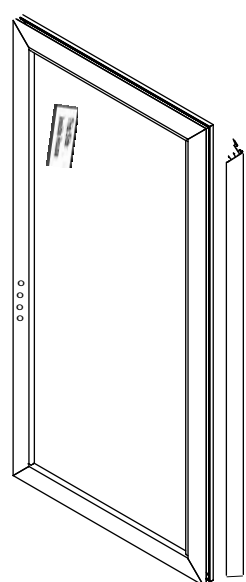
****Right Sliding**

***Exterior**

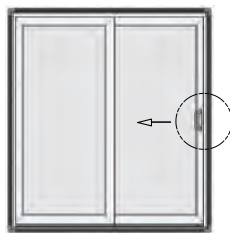




***Interior**



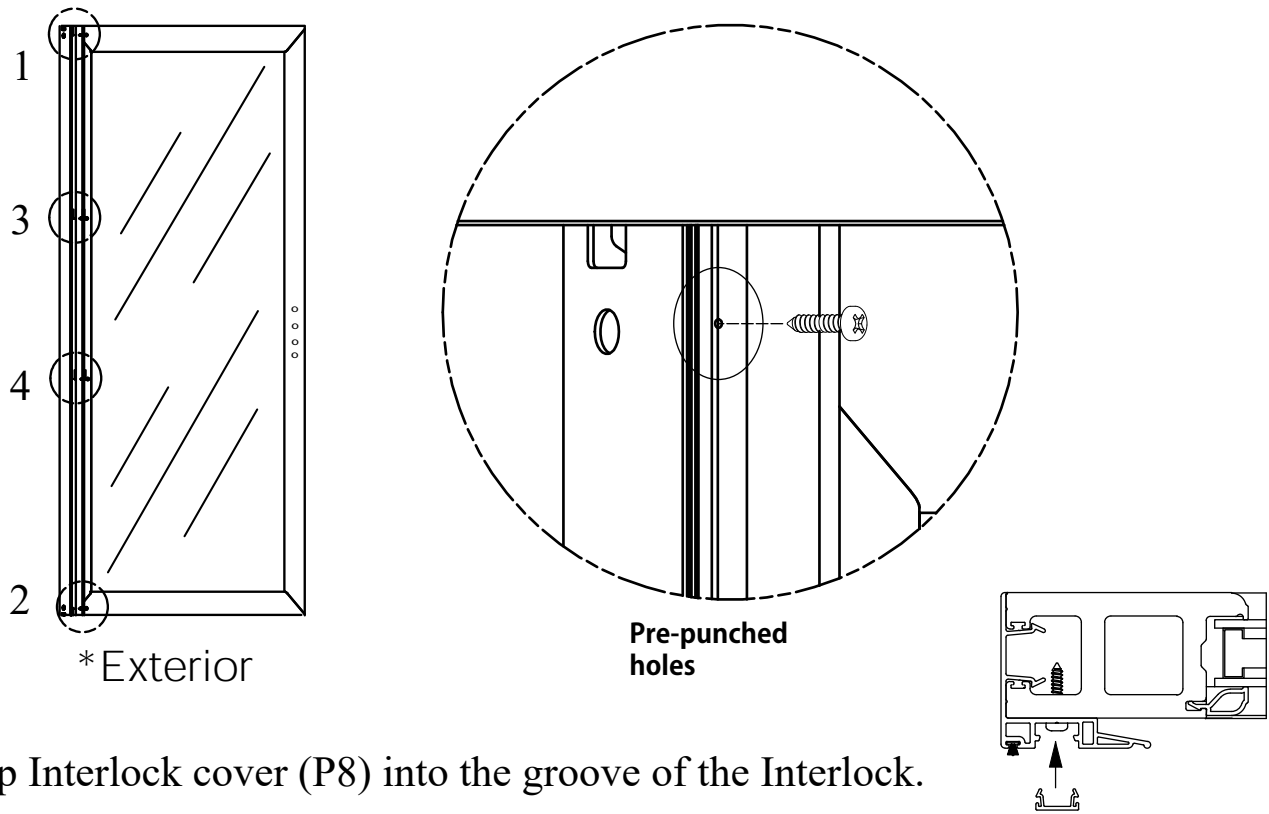
Exterior View



Right Sliding Door

***Right Sliding View.** Glazing Bead on Exterior. "rollers" and holes processed for handle

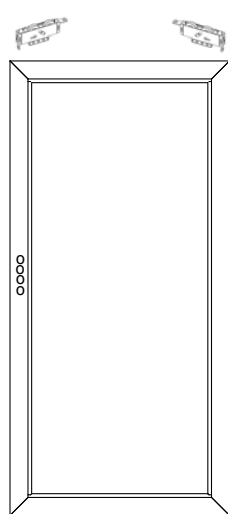
2R. Drive a screw (S1) on the top and one on the bottom where the pre-punched holes are located on the interlock. Additionally, drive two more screws (S1) near the center of the interlock.(no pre-punch holes in middle).



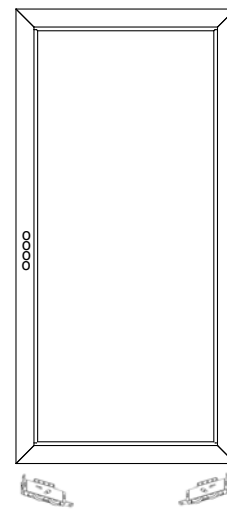
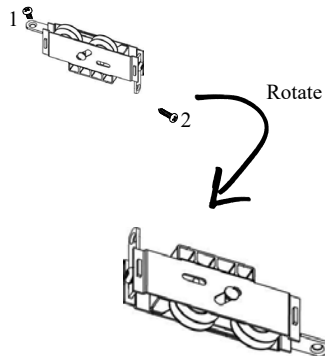
3R. Snap Interlock cover (P8) into the groove of the Interlock.



If installing Standard Sliding Panel without Blinds , wheels will need to be reversed. Follow Below.

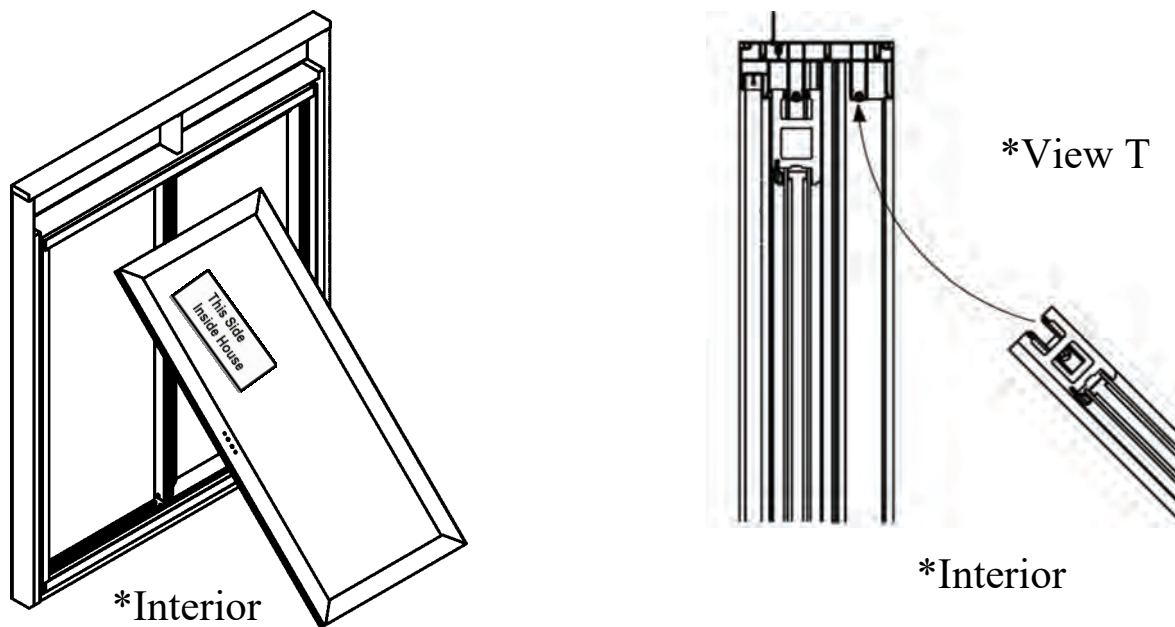


A. Remove 2 screws from wheel housing repeat on both sides

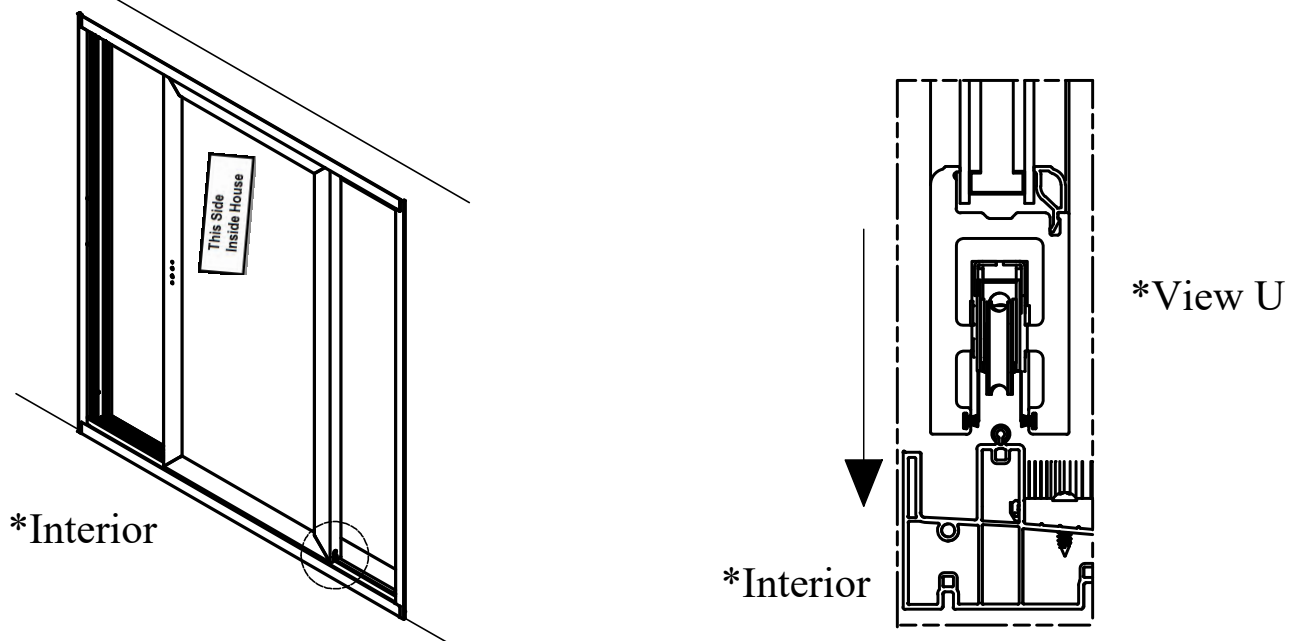


B. Attach 2 screws to wheel housing repeat on both sides

4R. From interior of opening, guide door sash to interior rail position of head profile (**View T**).



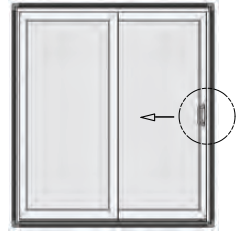
5R. Gently lower panel on interior stainless steel rail of opening, (View U). Panel will ride along rollers positioned on bottom of operating panel.



6R. If necessary, adjust the height and squareness of the operating panel with adjustment screw by turning clockwise to raise the sash and counter-clockwise to lower the sash.

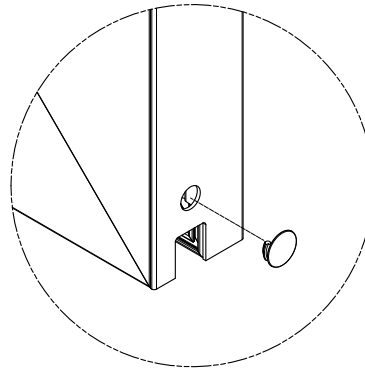
7R. Snap a Plug (H6) into the pre-punched roller adjustment hole at the bottom of the Interlock . Repeat this process for the top hole.

Exterior View

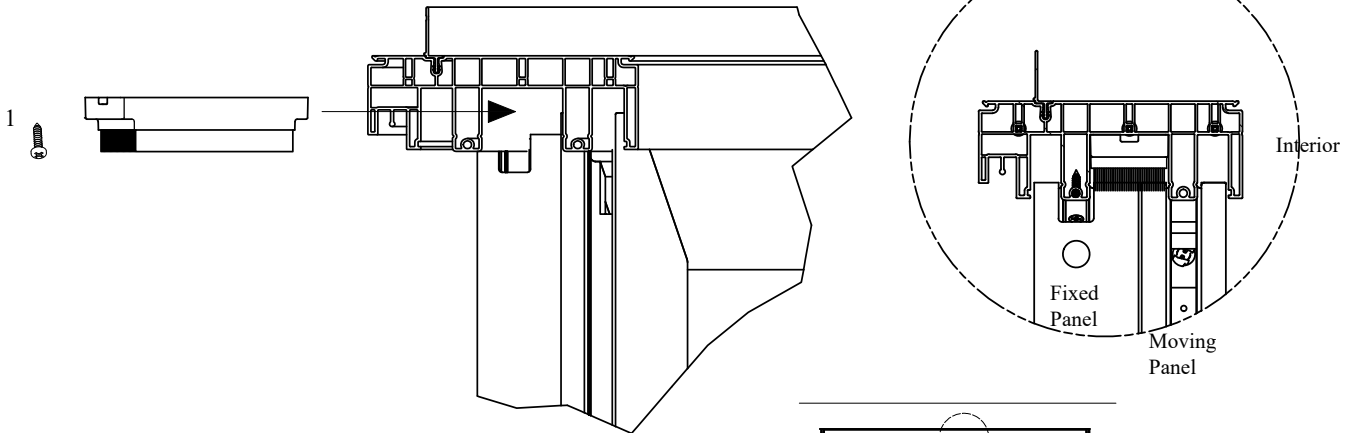


Right Sliding Door

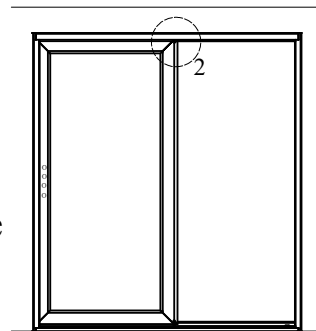
*Interior



8R. Inserting head end pad (H8). Move the operable panel to full open position and slide pad (H8) into head cavity. Attach pad with one (S1) screw.



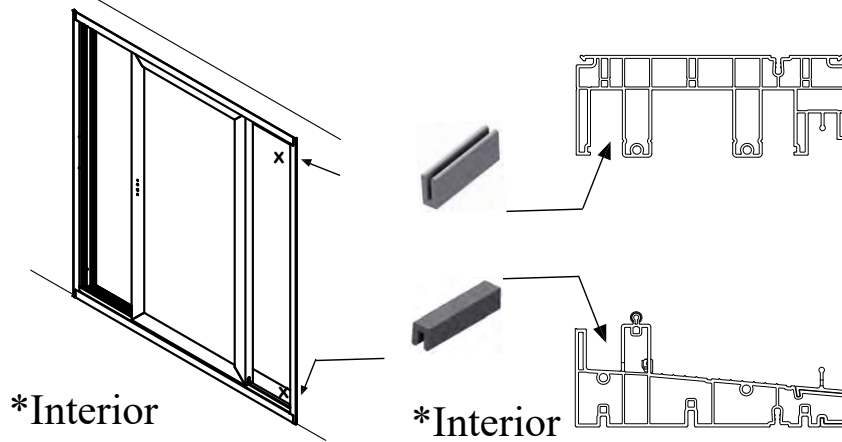
9R. Inserting head end pad (H8). Fully close panel to attach second screw into pad.



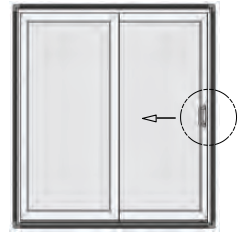
Interior View
Closed

*Note: Make sure head pad sits directly above interlock intersection.

10R. Install Head bumper (H2) in frame by pressing into opening pocket. Repeat step with Sill bumper (H1) from hardware package.



Exterior View

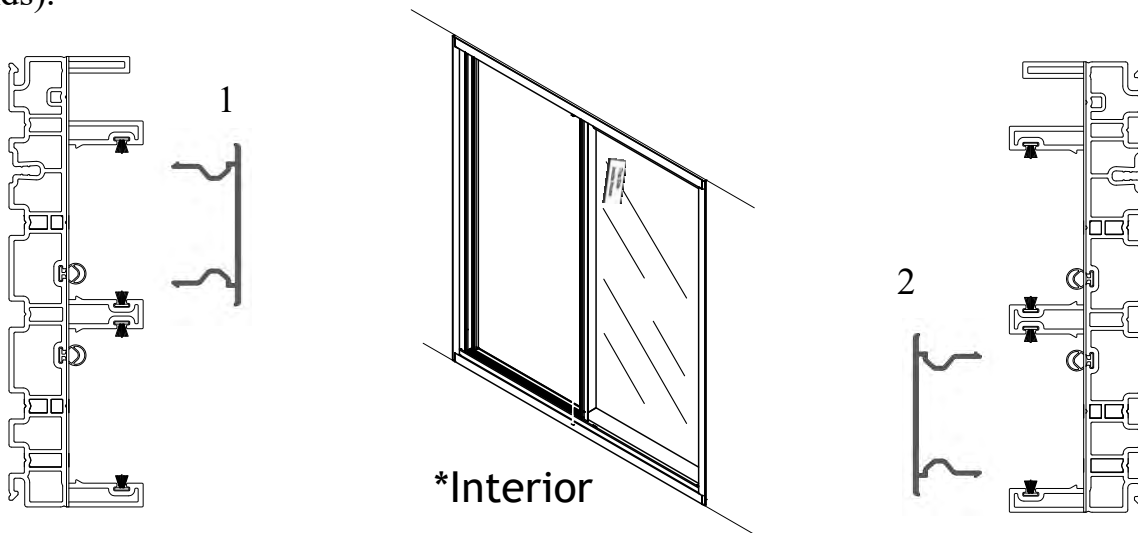


Right Sliding Door



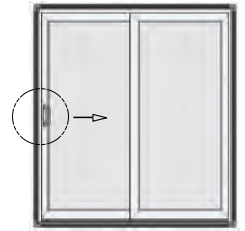
11R. Install Handle following instructions included with it. Keeper may need to slide up or down to correct full engagement.

12R. Install Jamb Filler (P9) on exterior pocket on handle side of Sliding Glass Door (part with one side notched), then install (P9) on interior pocket (notched on both ends).



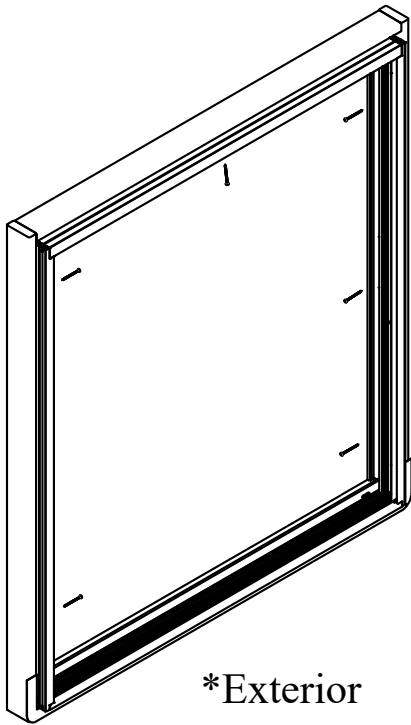
Frame Installation - LEFT Sliding

Exterior View

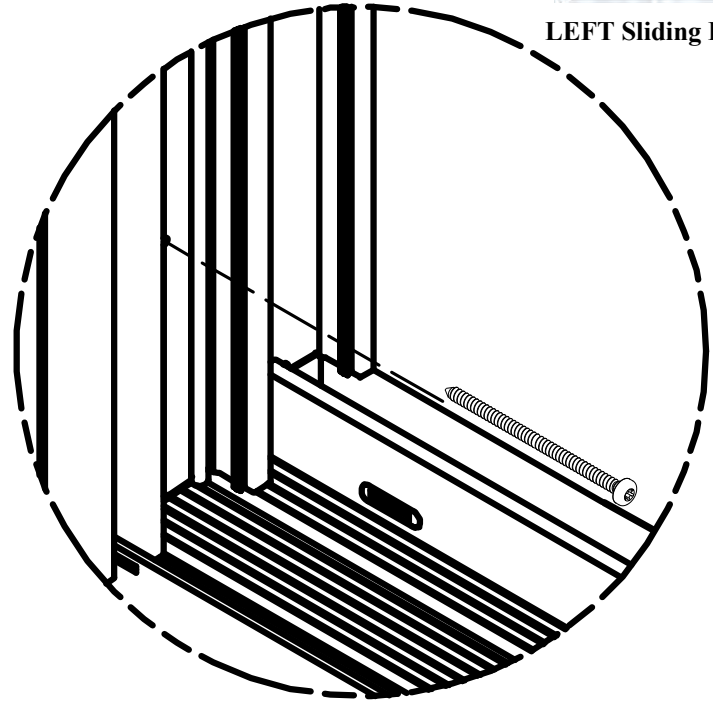


LEFT Sliding Door

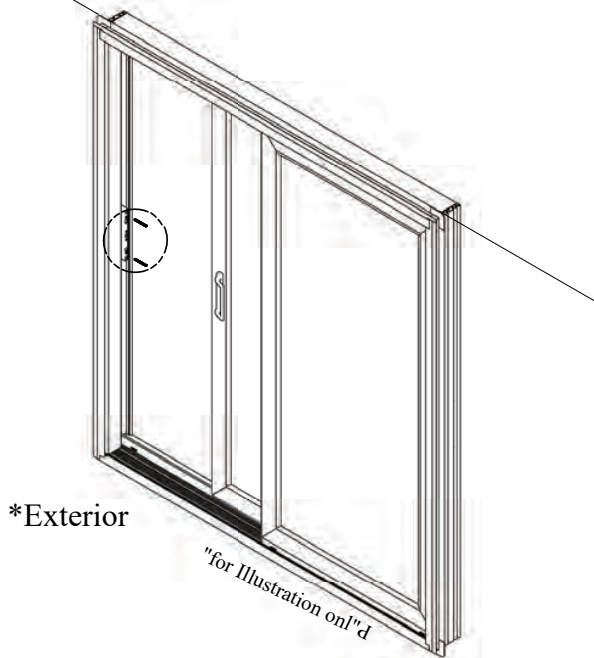
1. Drive SIX Installation Screws (S2) into the pre-punched pilot holes on the Right Jamb , Left Jamb & HEAD.



*Exterior

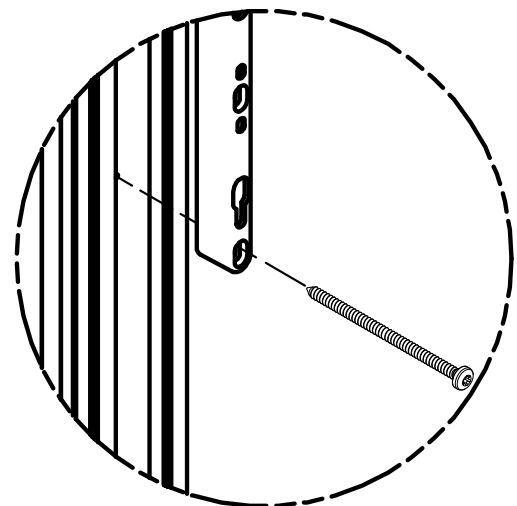


2. Locate the keeper on the two center holes on the LEFT jamb. Drive TWO Installation Screws (S2) into the Keeper. **DO NOT OVERTIGHTEN**, will need to adjust later with handle installation



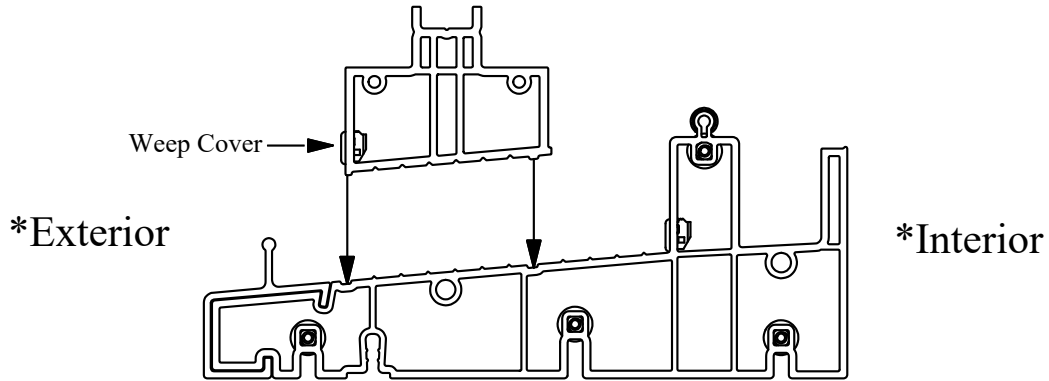
*Exterior

for illustration only



Frame Assembly - Panel Riser-LEFT Sliding

1L. Use locating nubs on Fixed Panel Riser (P5) to place it on the surface of the Sill (P4). Make sure Weep Cover is facing to exterior.



2L. Push the fixed Panel Riser to the right jamb until it makes contact

***Note:** *LEFT Sliding Door* is such that when viewing it from the **outside**, our **handle** will be located on the **LEFT**. See Figure 1

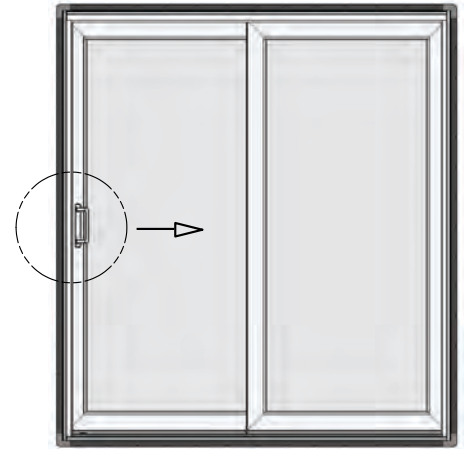
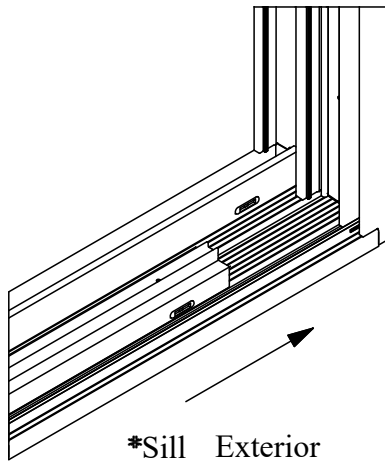
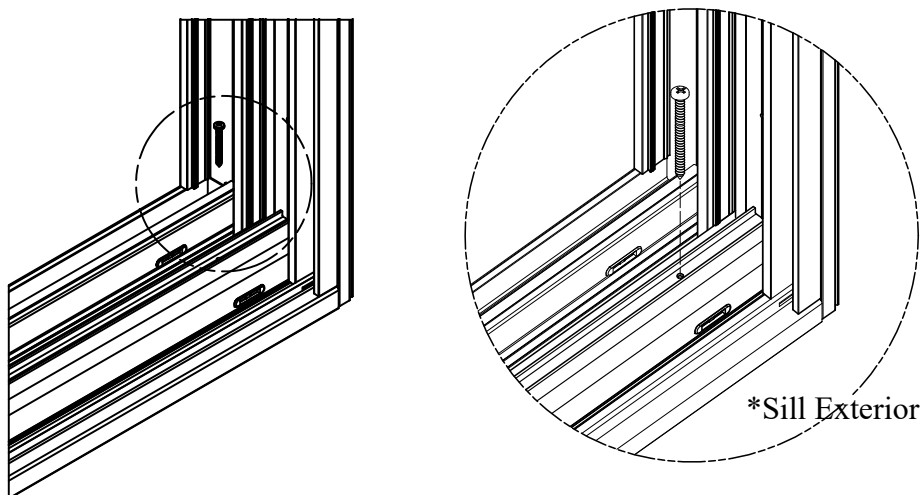
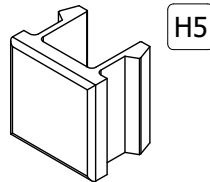
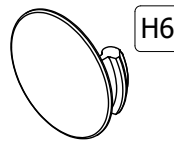
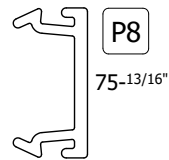
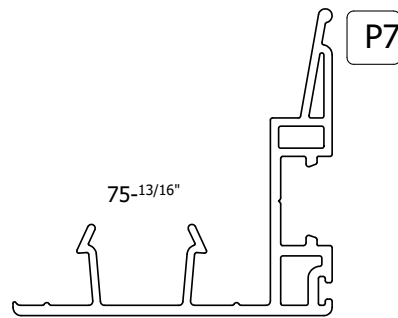
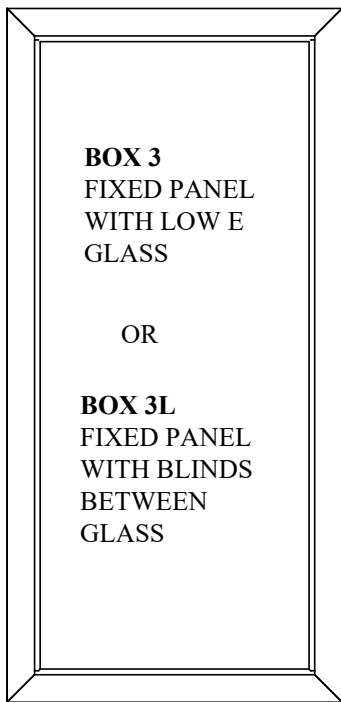


Figure 1: LEFT Sliding Door Exterior View

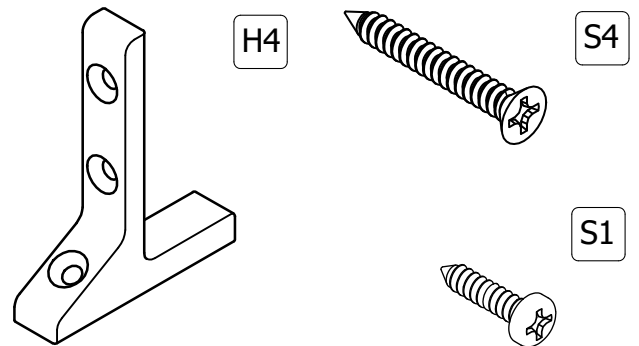
3L. Drive **THREE** Fixed Panel Riser Screws (S3) into the pre-punched holes on the Riser **AND** into the Sill.



Fixed Panel Parts



Part Number	Part Name	Quantity
1	Panel	1
P7	Snap Interlock	1
P8	Interlock Cover	1
H5	Panel Spacer	3
H6	Plug	2
H4	Riser Clip	2
S1	Interlock Screw	4
S4	Riser Clip Screw	6

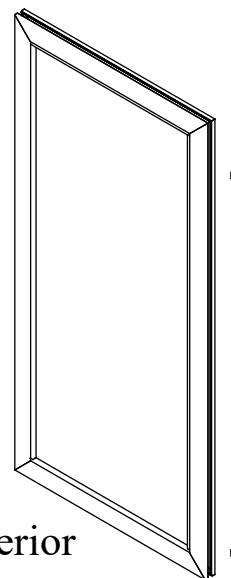
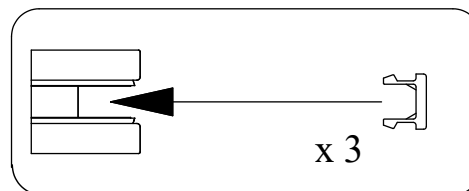


Fixed Panel Installation

1L. Attach three Fixed Panel Spacer (**H5**) from hardware bag, locate two of these 8 inches from the edge of panel and one in the center.



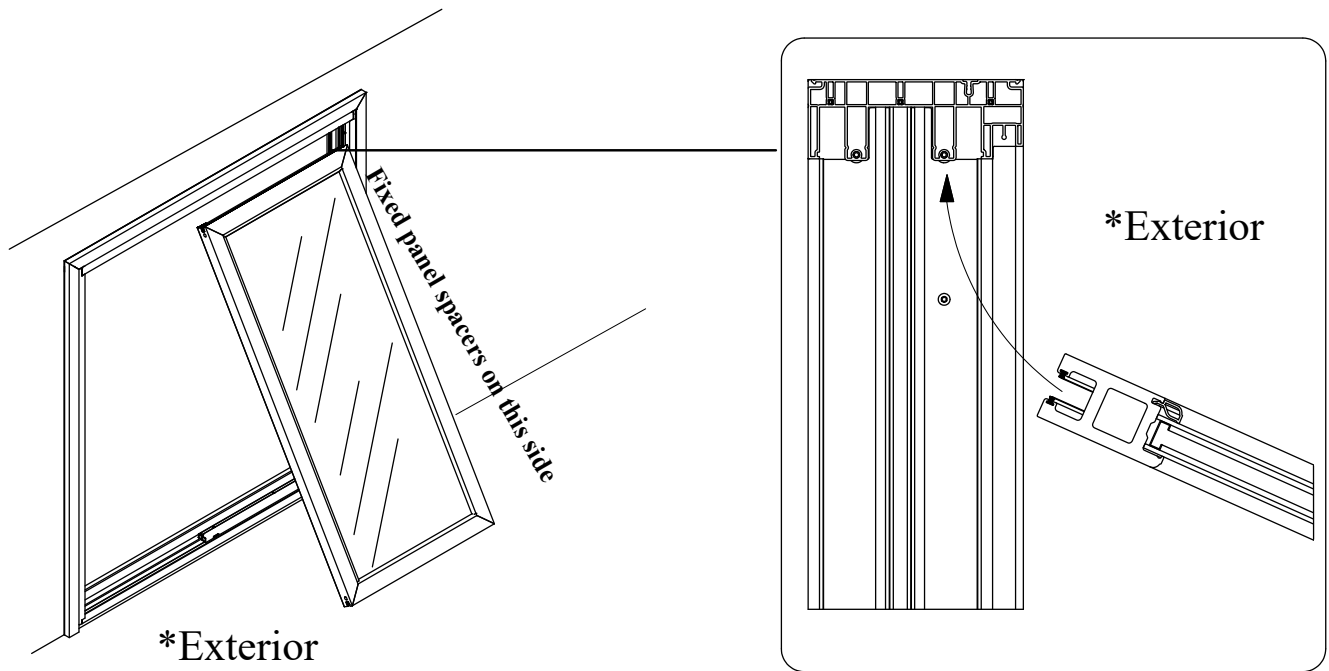
LEFT Sliding Door



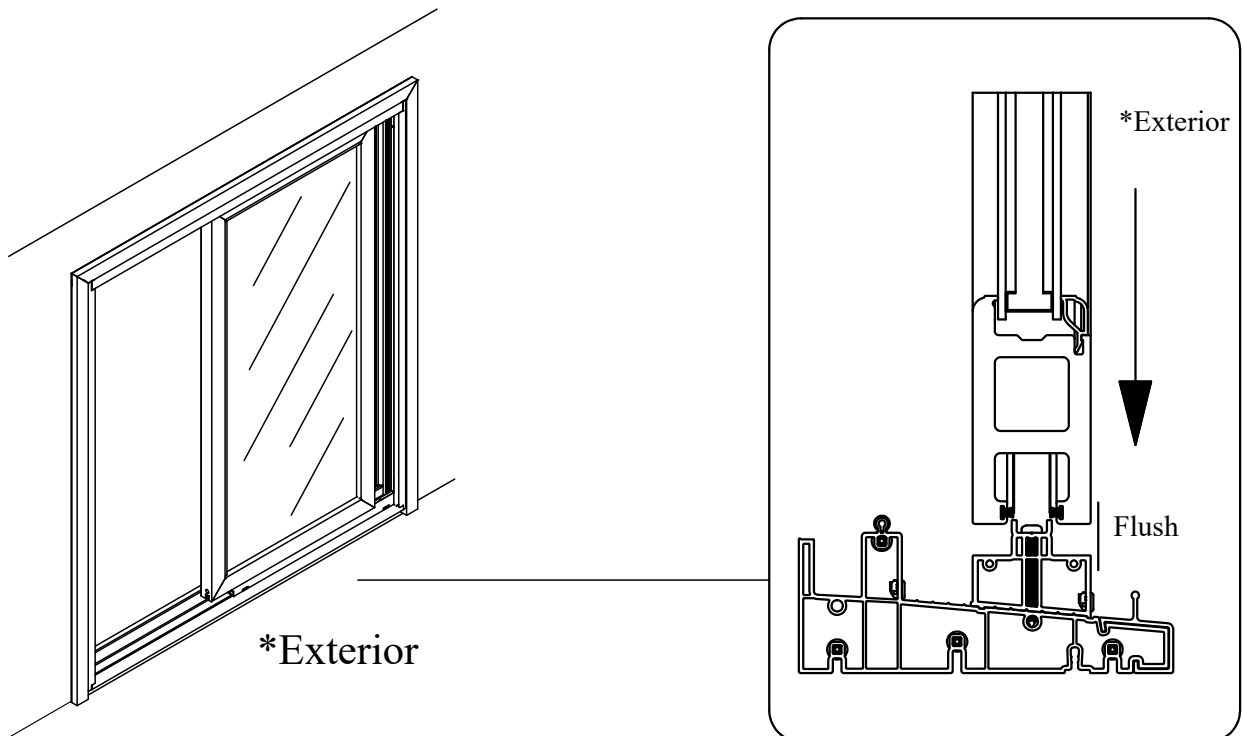
*Exterior

***LEFT Sliding Fixed Panel View.**
Glazing Bead on Exterior. "No rollers" or holes processed for handle

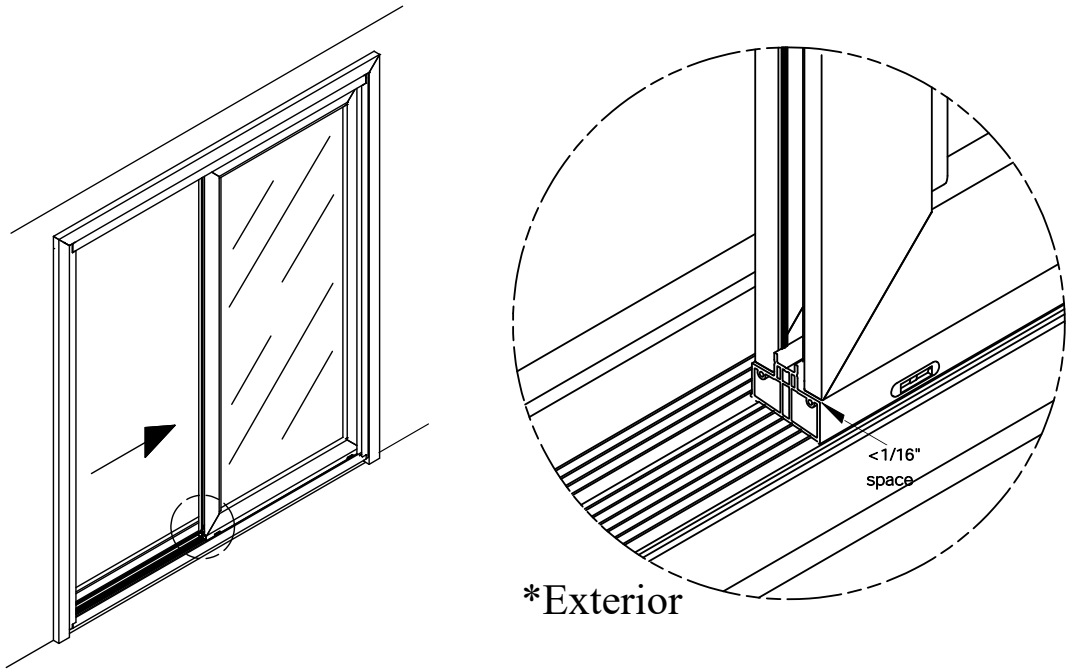
2L. Swing Fixed Panel (1) into the frame, aligning it to the exterior sash rail. GLAZING BEAD ON THE EXTERIOR.



3L. Drop Fixed Panel on top of the Riser, making sure the exterior surface of the panel is flush to the Riser.

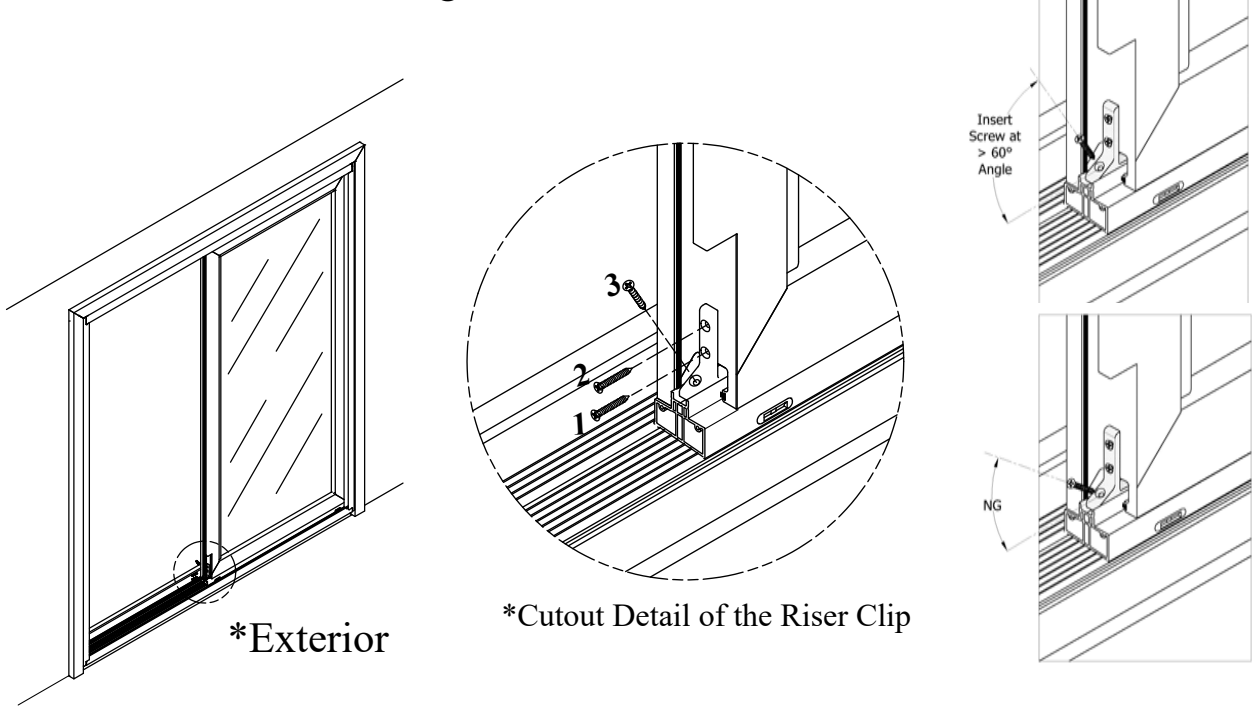


4L. Push Panel all the way into the frame leaving a small gap between the face of the Riser to the edge of the Panel.



*Exterior

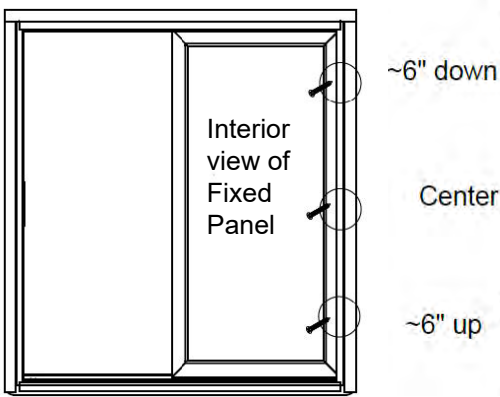
5L. Place fixing clip (H4) against the channel of the Panel and the channel of the Riser. Drive THREE clip screws (S4) into the Riser and the Panel.(in numerical order as shown below) Insert last screw at >60 degree



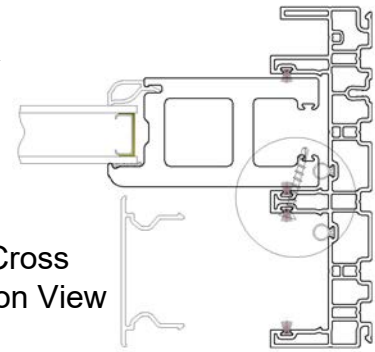
*Exterior

*Cutout Detail of the Riser Clip

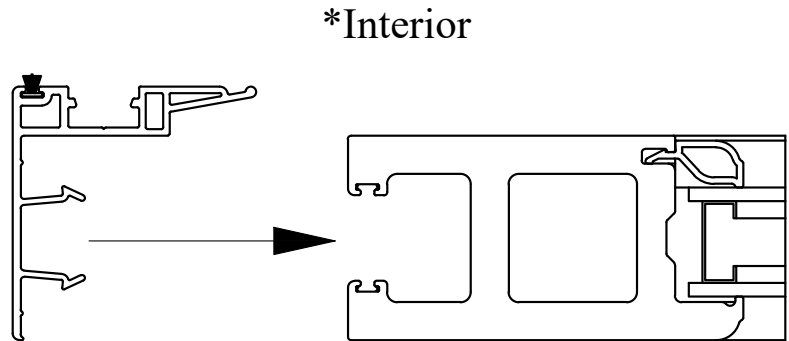
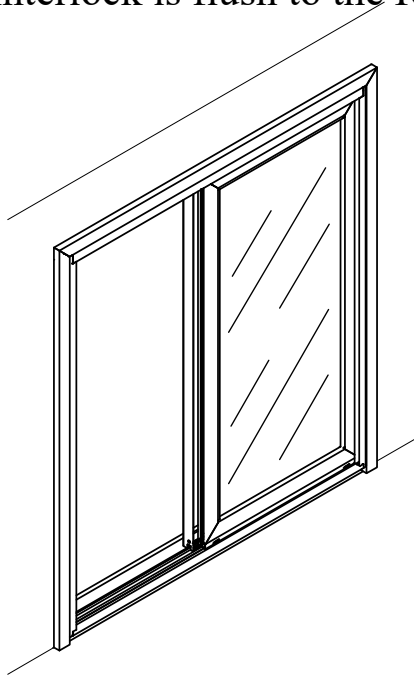
6L. Place fixing clip (H4) against the channel of the Panel and the Sash Rail on the Head. Drive THREE clip screws (S4) into the Head and the Panel.



Use screws included in bag (H4) to secure panel to frame



7L. Snap the Interlock (P7) into the Fixed Panel channel. Verify that the surface of the interlock is flush to the Riser. **INTERLOCK HOOK ON THE INTERIOR.**

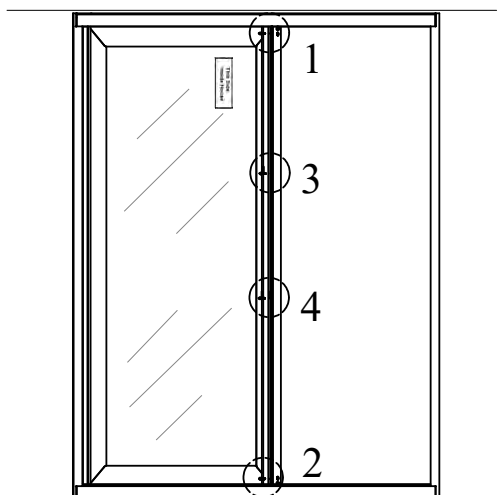


*Exterior

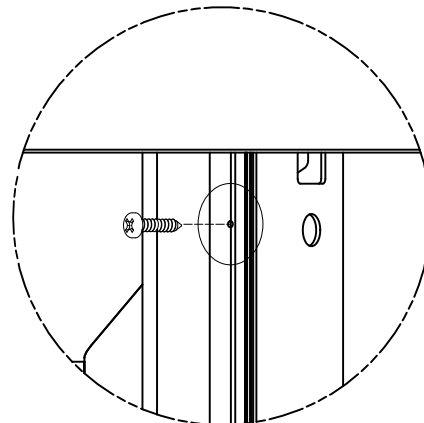
LEFT Sliding Fixed Panel

*Exterior

8L. From the interior of the home, drive one screw (S1) on the top and one on the bottom where the pre-punched holes are located on the interlock (P7). Additionally, two more screws (S1) near the center of the interlock (no pre-punch holes in middle).

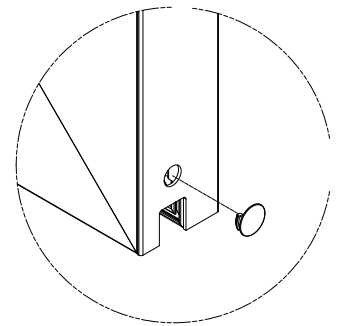
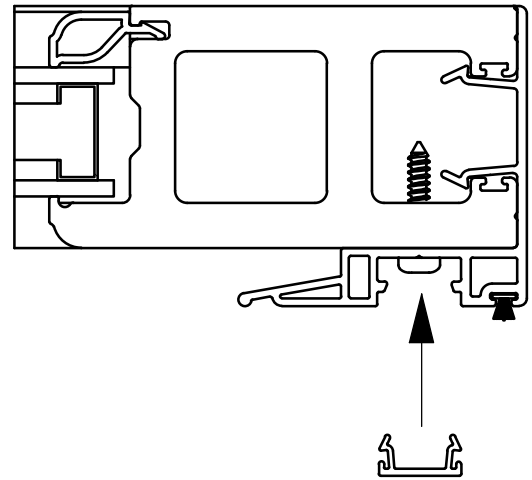
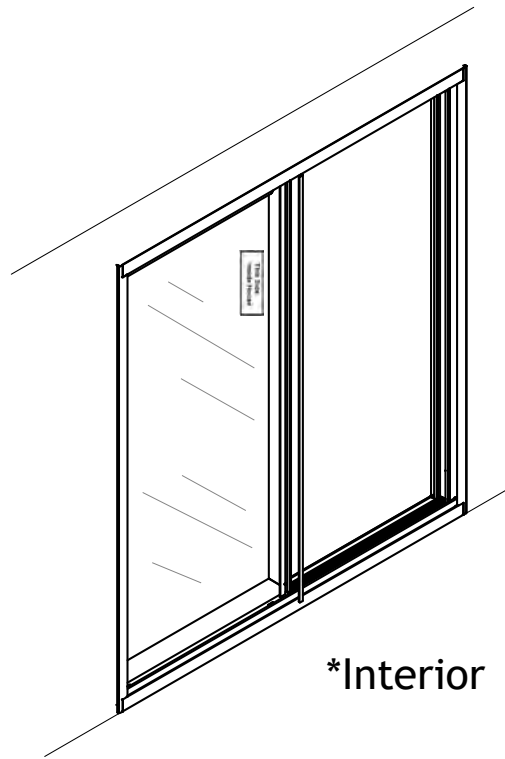


*Interior



LEFT Sliding Fixed Panel Looking from Interior

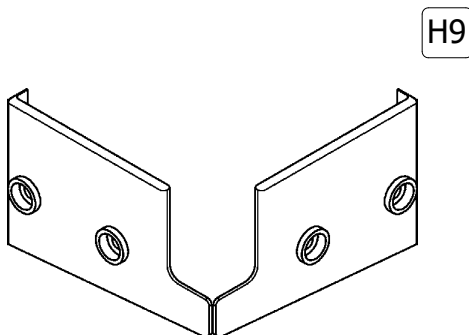
9L. Snap Interlock Cover (**P8**) into the groove of the Interlock.



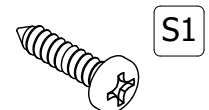
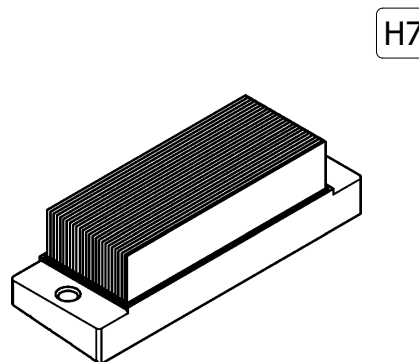
10L Snap a plug into the pre-punch hole at the bottom of the Interlock. Repeat this process for the top hole.

Sill Pad Installation-Parts List

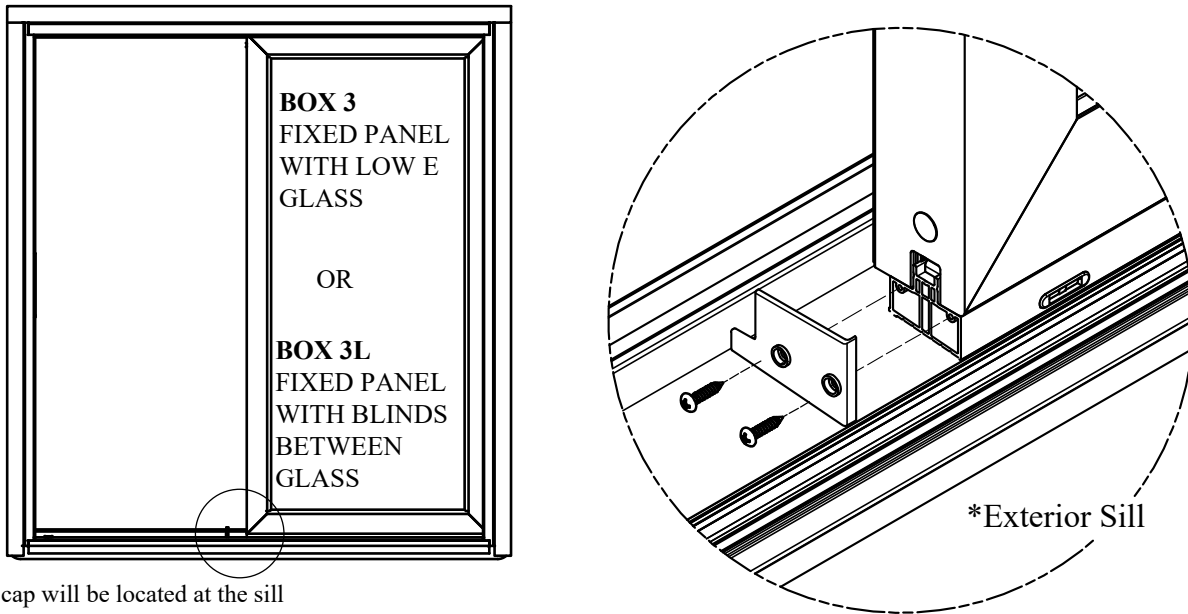
Part Number	Part Name	Quantity
H9	End Cap	1
H7	Sill Pad	1
S1	Screw	4



*End cap is breakaway
"discard unused
portion"



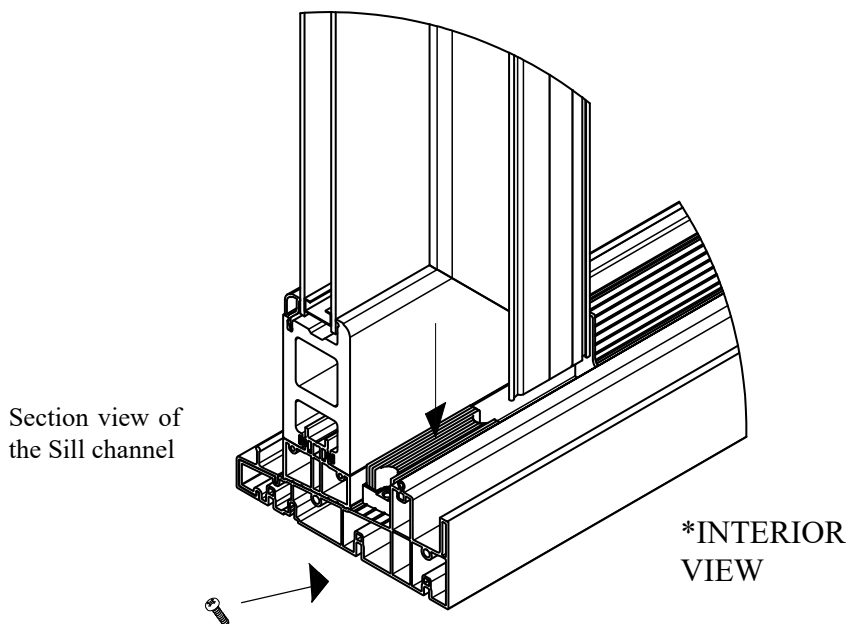
1L. Place the End Cap (H9) over the end of the riser(P5). Make sure the holes on the End cap align with those of the riser.



*End cap will be located at the sill

2L. Drive TWO screws (S1) through the cap to fix it to the riser.

3L. Insert Sill Pad (H7) from hardware bag into Sill channel making sure it rides over the grooves.



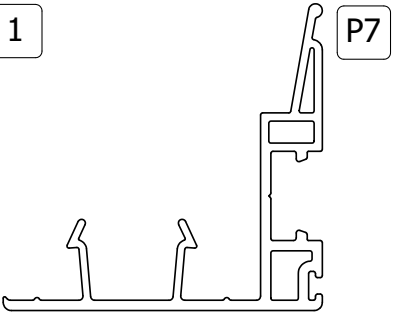
4L. Push the Sill Pad until it touches the tab on the End Cap (H9). Drive TWO screws (S1) into the visible holes on the Sill Pad (H7) into the Sill.

Operable Panel Parts

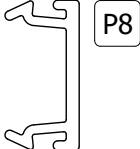
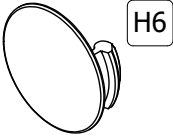
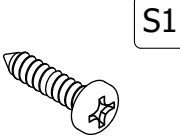
**BOX 2
SLIDING
PANEL WITH
LOW E GLASS**

OR

**BOX 2L
SLIDING
PANEL WITH
BLINDS
BETWEEN
GLASS**



1 **P7**

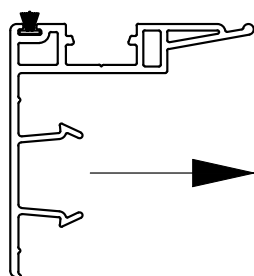




P8 **H6** **S1**

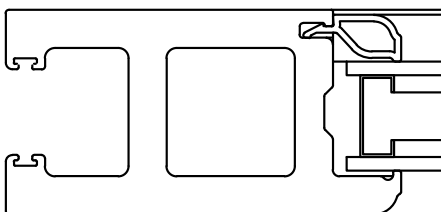
Part Number	Part Name	Quantity
1	Panel	1
P7	Snap Interlock	1
P8	Interlock Cover	1
H6	Plug	2
S1	Interlock Screw	4

1L. Snap the Interlock (**P7**) onto the operable panel opposite the handle mortise lock. Verify the length is equal to panel (or leave equal gap/overhang on each end).

****LEFT Sliding**

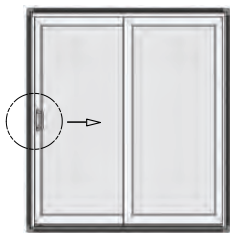


***Exterior**

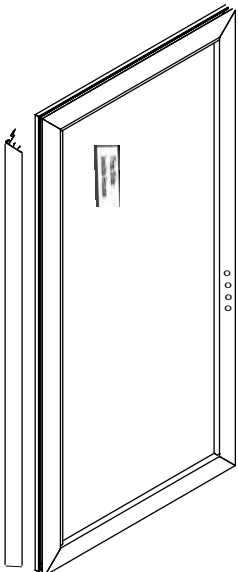


***Interior**

Exterior View

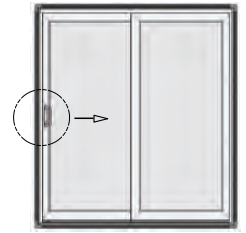


LEFT Sliding Door



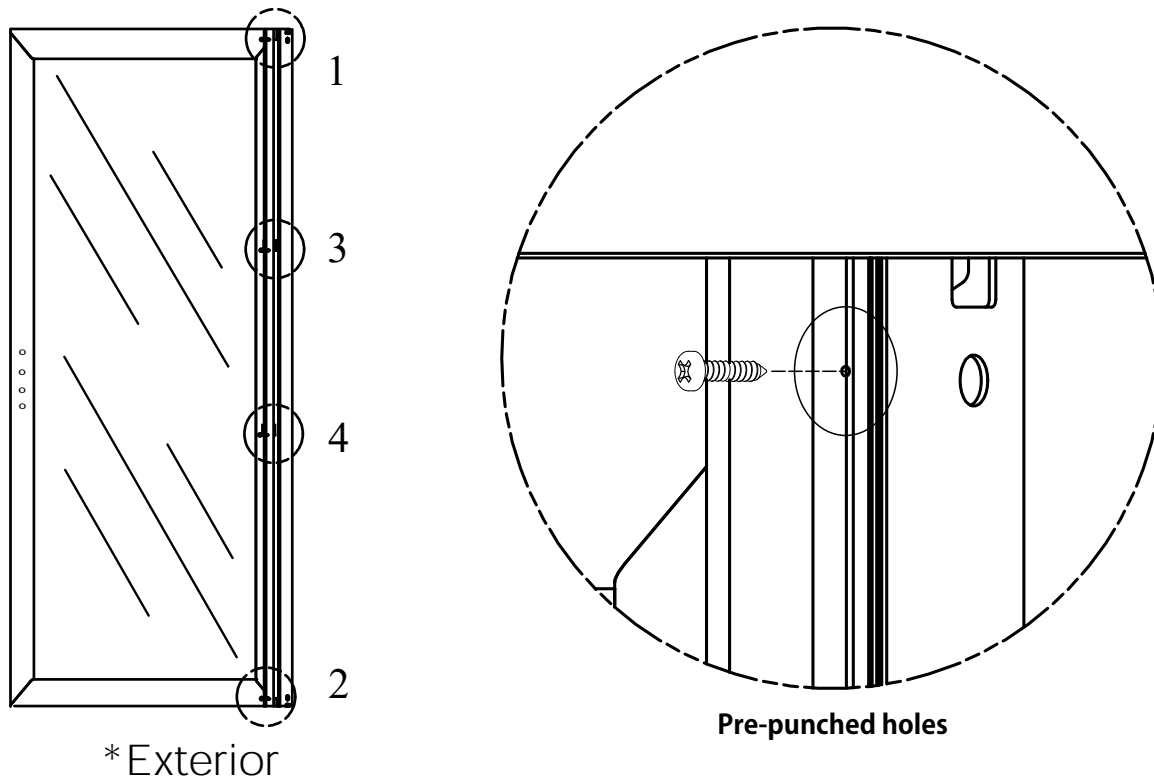
***LEFT Sliding View;** Glazing Bead on Exterior "Rollers" and holes processed for handle

Exterior View

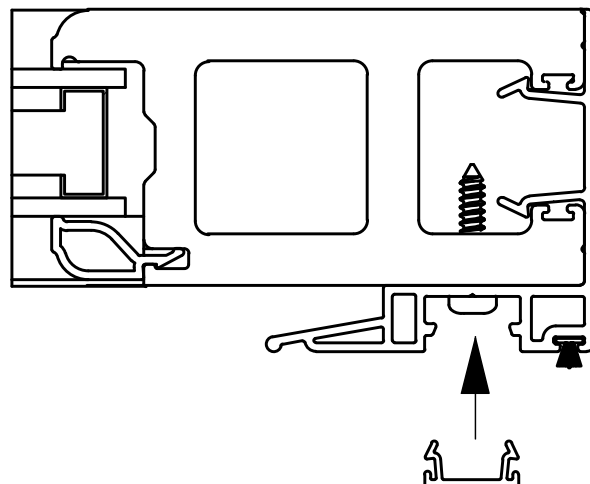


LEFT Sliding Door

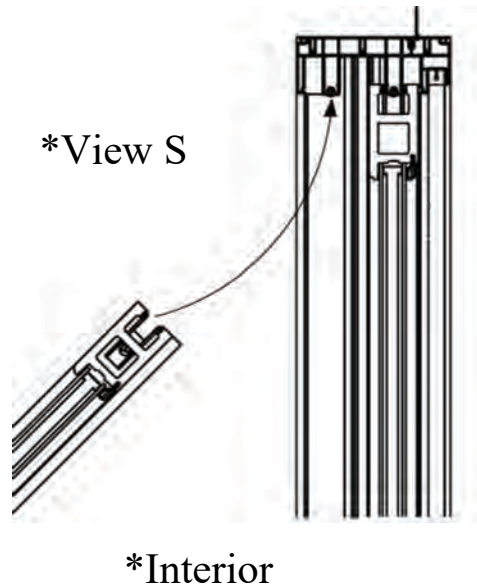
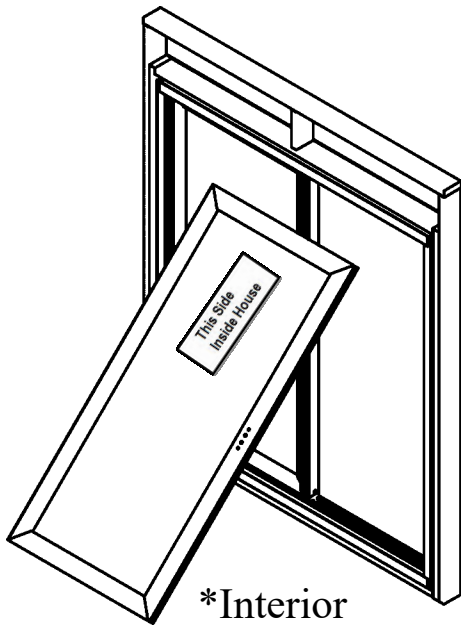
2L. Drive a screw (S1) on the top and one on the bottom where the pre-punched holes are located on the interlock. Additionally, drive two more screws (S1) near the center of the interlock.(no pre-punch holes in middle).



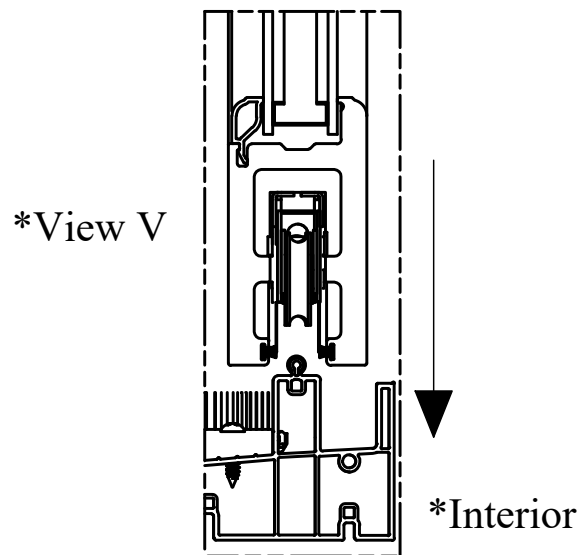
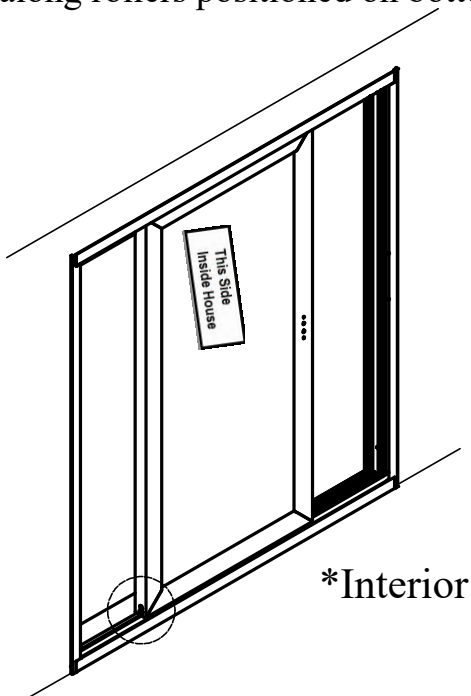
3L. Snap Interlock cover (P8) into the groove of the Interlock.



4L. From interior of opening, guide door sash to interior rail position of head profile (View S).



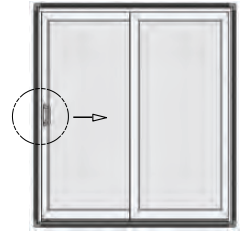
5L. Gently lower panel on interior stainless steel rail of opening, (View V). Panel will ride along rollers positioned on bottom of operating panel.



6L. If necessary, adjust the height and squareness of the operating panel with adjustment screw by turning clockwise to raise the sash and counter-clockwise to lower the sash.

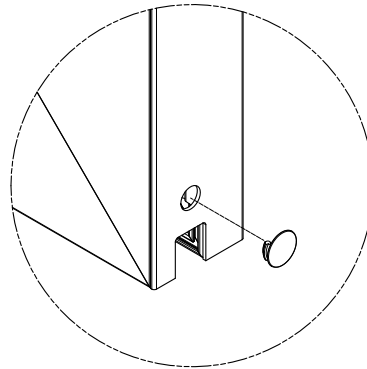
7L. Snap a Plug (H6) into the pre-punched roller adjustment hole at the bottom of the Interlock . Repeat this process for the top hole.

Exterior View

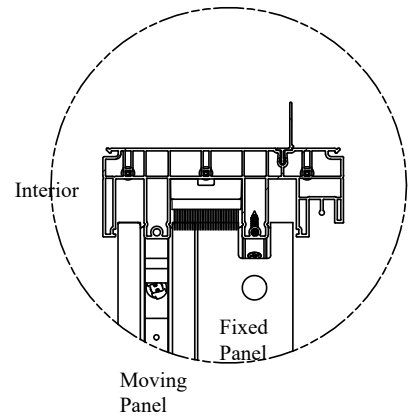
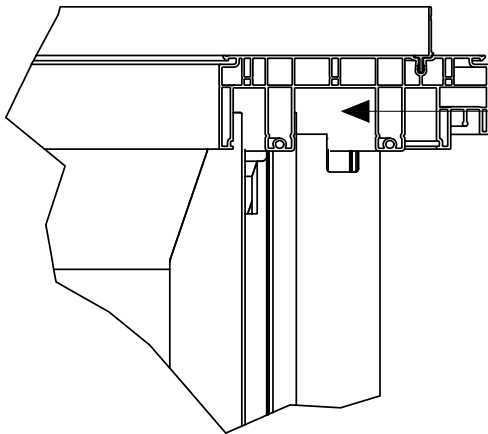


LEFT Sliding Door

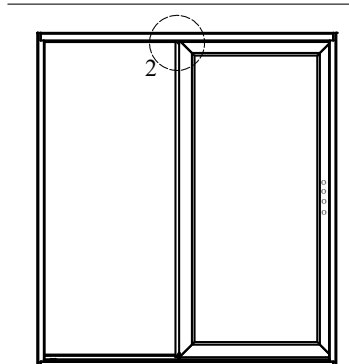
*Interior



8L. Inserting head end pad (H8). Move the operable panel to *full open position* and slide pad (H8) into head cavity. Attach pad with one (S1) screw.



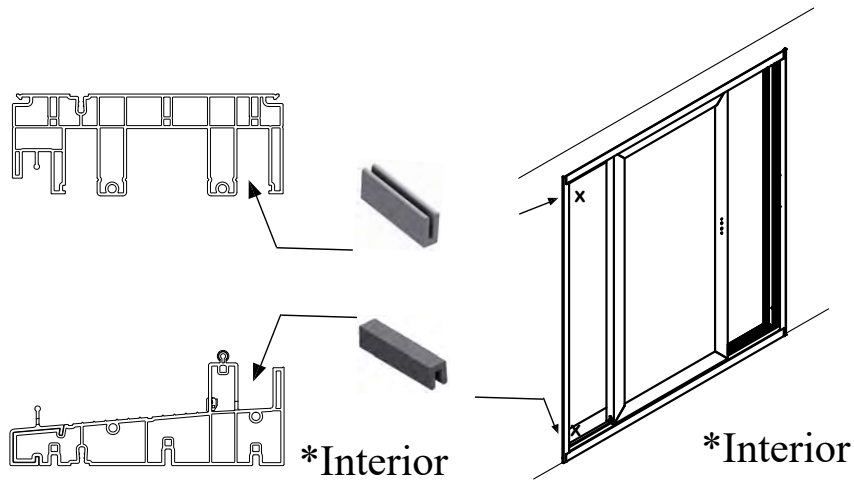
9L. Inserting head end pad (H8) . Fully close panel to attach second screw into pad.



Interior View Closed

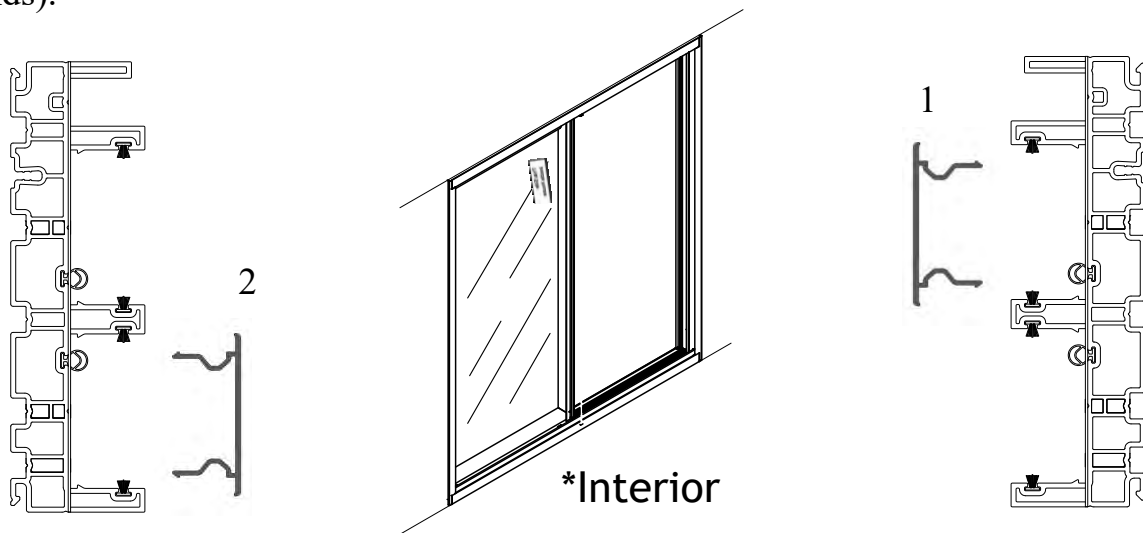
*Note: Make sure head pad sits aligned directly above the interlock intersection

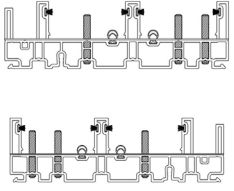
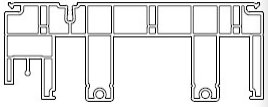
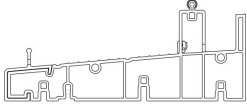

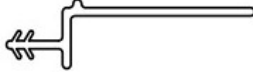
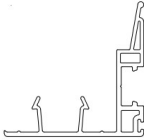
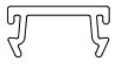




10L. Install Head bumper (**H2**) in frame by pressing into opening pocket. Repeat step with Sill bumper (**H1**) from hardware package.





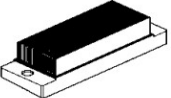
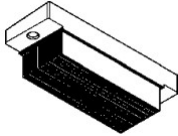

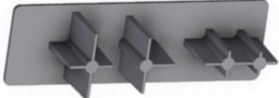




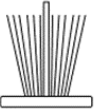

11L. Install Handle following instructions included with it. Keeper may need to slide up or down to correct full engagement.

12L. Install Jamb Filler (**P9**) on exterior pocket on handle side of Sliding Glass Door (part with one side notched) , then install (**P9**) on interior pocket (notched on both ends).



	Item No.	Part Description	Part No.	Color	Image
EXTRUDED PROFILES	P1 P2	79 1/2" Main Frame Jamb	4701	White	
	P3	70" Main Frame Head	4702	White	
	P4	70" Main Frame Sill	4703	Gray	
	P5	36 7/8" Fixed Panel Riser	4704	Gray	
	P6	69 7/8" Snap on /installation Flange 78 7/8" Snap on /installation Flange	4777.70 4701.79	Gray	
	P7	75 13/16" Snap Interlock	4701	White	
	P8	75 13/16" Interlock Cover	4701	White	
	P9	77 5/8" Jamb Filler	4709	White	
	HARDWARE	incl.	Series 4700PD Master ScrewPkgs	4700 MSP	Gray
incl.		Patio Door Handle Set	47PD KIT1	White	
incl.		2 Point Mortise Lock	MORT2	Gray	
H1		4" Head Bumper	6200	White	

HARDWARE	H2	4" Sill Bumper	6199	Gray	
	H3	Installation Flange Gasket	47326	Blk	
	H4	Anchor Bracket	3041	Gray	
	H5	Fixed Panel Spacer	3039	Gray	
	H6	1/2" Diameter Hole Plug	2299	White	
	H7	Sill End Pad Base	3047	Gray	
	H8	Head End Pad Base	3046	Gray	
	H9	End Cap	3048	Gray	
	ACCESSORIES	incl.	Weep Hole Cover	2553	Gray
incl.		Main Frame Locating Pins	3040	Gray	
incl.		Jamb End Cap (Head End)	3059	White	
incl.		Main Frame Head Gasket	4700HG	Gray	
incl.		Main Frame Sill Gasket	4700SG	Gray	

WEATHERSTRIPPING	incl.	Snap Interlock 4707 Weatherstripping	4025Gray	Gray	
	incl.	Main Frame Jamb 4701 Ultra Glide Bulb Seal	33211	White	

800-848-4550
CALL UNITED CUSTOMER SERVICE
for replacement parts or installation assistance

Thank you for your purchase. Our company values each and every customer. If you have any questions or feedback, please don't hesitate to reach out. All of our products are backed by our limited lifetime warranty*. If you have a friend or family member that can use our products, we would greatly appreciate the referral.

United Window & Door Manufacturing, Inc.

09/12/2023

*10 year warranty on blinds between the glass.



24 Fadem Road
Springfield, NJ 07081
Office (800) 848-4550
Fax (973) 912-8866
unitedwindowmfg.com